

INSTRUMENTATION
VALVES



COMFIT-USA

A DIVISION OF  **LamarUSA**
INSTRUMENTATION & CONTROL

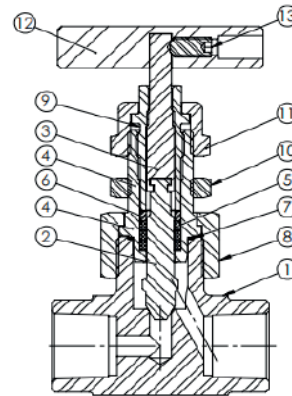
www.comfit-usa.com

Needle Valves

UNION BONNET NEEDLE VALVES (6000 PSIG / 414 barg) PRODUCT RANGE: CUBNV

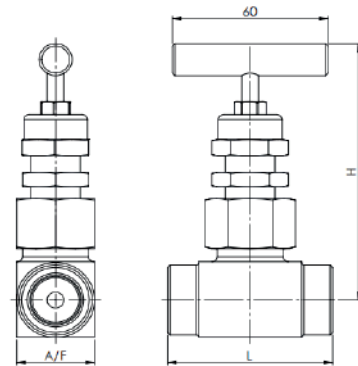


SR.NO.	DESCRIPTION	QTY	DESCRIPTION
1	BODY	1	SS 316
2	LOWER STEM	1	SS 316
3	UPPER STEM	1	SS 316
4	UNION BONNET	1	SS 316
5	PACKING	3	PTFE
6	WASHER	1	SS 316
7	BONNET SEAL	1	SS 316
8	BONNET NUT	1	SS 316
9	STEAM GUIDE	1	SS 316
10	PANEL NUT	1	SS 304
11	PACKING NUT	1	SS 316
12	HANDLE	1	SS 304
13	DUST SEAL	1	SS 304



FEATURES:

- Union bonnet design ensures high integrity seal under sever service application.
- Bar stock needle valve design with safety back seating in fully open condition.
- High temperature packing option available.
- Two-piece knuckle joint ensures a non-rotating needle feature. The joint is positioned above the packing, safeguarding it from system media.
- Stem threads positioned above the packing, ensuring protection from system media.
- Low torque operating T-bar handle, anti-tamper, and lockable handle facility available.
- Straight pattern design, with angle pattern option available.
- Externally adjustable gland.
- Dust seal in the packing nut safeguards the stem threads from outside impurities.
- Low Emissions certification available on request.
- Panel Mounting available.



SPECIFICATION:

- Size - 1/4", 3/8", 1/2" NPT (F)
- Standard Seat Diameter: 0.157 Inch, 0.252 Inch (4.0 mm, 6.40 mm)
- End Connections: NPT, BSPT, Socket Weld, Tube Fitting
- Working Pressure: 6000 psig and 10000 psig
- Temperature Rating:
 - Up to 450°F (232°C) with PTFE packing
 - Up to 752°F (400°C) with Grafoil packing
- Materials: SS 316, SS 304, CS, F11, Hastelloy, Monel, Inconel
- Compliance: Can be provided to meet the latest revision of **NACE MR-01-75 (SOUR GAS SERVICE)**
- Packing: PTFE, Grafoil
- Testing: 100% factory tested at 1000 psig
- Lubrication: Dye Molly Sulfide

UNION BONNET NEEDLE VALVE						
VALVE CONNECTION		PRODUCT CODE	ORIFICE	A/F	L	H
INLET	OUTLET					
1/4" NPT (F)		4NF - CUBNV	0.157	1.06	2.06	3.77
3/8" NPT (F)		6NF - CUBNV	0.252	1.18	2.16	3.82
3/8" ODT		6T - CUBNV			3.09	
1/2" NPT (F)		8NF - CUBNV			2.50	
1/2" ODT		8T - CUBNV			3.33	



☎ **(+1) 713 731 5057 - Main**

☎ **(+1) 786 538 0405 - Sales**

✉ **sales@comfit-usa.com**

📍 **12510 west airport blvd
Unit # B08-A, Sugar Land TX
77478**

Some of our main customers worldwide:

- ***Ecopetrol***
- ***Petro Ecuador***
- ***Tecpetrol***
- ***Geopark***
- ***Sertecpet***
- ***TechnipFMC***
- ***Tecnicas Reunidas***
- ***Yokogawa***
- ***Honeywell***
- ***Pemex***
- ***Maire Tecnimont***
- ***Halliburton***
- ***Perenco***
- ***Gran Tierra Energy***
- ***ABB***