

INSTRUMENTATION
VALVES



COMFIT-USA

A DIVISION OF  **LamarUSA**
INSTRUMENTATION & CONTROL

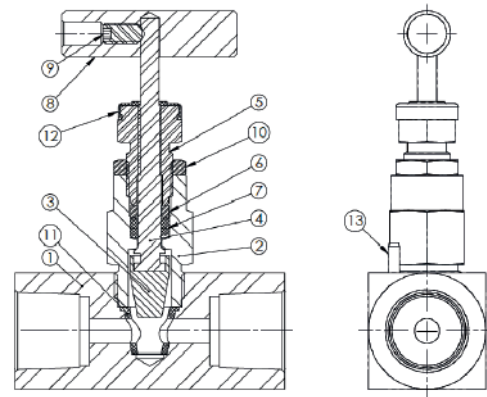
www.comfit-usa.com

Needle Valves

SOFT SEATED SCREWED BONNET NEEDLE VALVES PRODUCT CODE: CSSNV

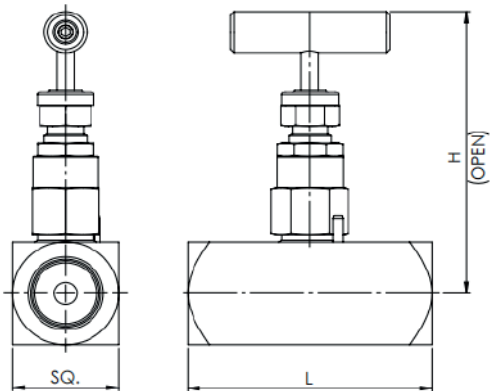


SR.NO.	DESCRIPTION	QTY	DESCRIPTION
1	BODY	1	SS 316
2	BONNET	1	SS 316
3	TIP	1	SS 316
4	STEM	1	SS 316
5	PUSHER	1	SS 316
6	WASHER	1	SS 316
7	PACKING	2	PTFE
8	HANDLE	1	SS 304
9	GRUB SCREW	1	SS
10	CHECK NUT	1	SS
11	SEAT	1	PEEK
12	DUST CAP	1	PLASTIC
13	STOPPER PIN	1	SS



FEATURES:

- Bar stock needle valve design with safety back seating in fully open condition.
- Bi-directional flow design.
- Roddable, straight through flow path.
- Non-rotating needle Tip feature. Stem threads positioned above the packing, ensuring protection from system media
- Low torque operating T-bar handle, anti-tamper, and lockable handle facility available.
- Externally adjustable gland and replaceable seat.
- Bonnet lock pin as per the design standard.



SPECIFICATION:

- Size: 1/4" and 1/2"
- Standard Seat Diameter
- Seat Material : PTFE / PEEK / DEVLON
- End Connections: NPT, BSPT, Tube Fitting
- Working Pressure: 3000 PSIG and 6000 PSIG
- Temperature Rating:
 - Up to 450°F (232°C) with PTFE/GRAFOIL packing
- Materials: SS 316, SS 304, CS, F11, Hastelloy, Monel, Inconel
- Compliance: Can be provided to meet the latest revision of NACE MR-01-75 (SOUR GAS SERVICE)
- Packing: PTFE, Graphoil
- Testing: 100% factory tested at 1000 psig
- Lubrication: Dye Molly Sulfide

SOFT SEATED SCREWED BONNET NEEDLE VALVE					
VALVE CONNECTION		PRODUCT CODE	ORIFICE	HEX.	L
INLET	OUTLET				
1/4" NPT (F)		4NF - CSSNV	0.189	2.10	3.03
1/4" NPT (F)	1/4" NPT (M)	4NF - CSSNV - 4NM		2.10	
1/4" NPT (F)	1/2" NPT (M)	4NF - CSSNV - 8NM			
	1/2" NPT (F)	8NF - CSSNV	0.252	2.72	3.25
1/2" NPT (F)	1/2" NPT (M)	8NF - CSSNV - 8NM		2.95	



☎ **(+1) 713 731 5057 - Main**

✉ **sales@comfit-usa.com**

☎ **(+1) 786 538 0405 - Sales**

📍 **12510 W Airport Blvd Unit # B08-A, Sugar Land, TX 77478**

Some of our main customers worldwide:

- ***Ecopetrol***
- ***Petro Ecuador***
- ***Tecpetrol***
- ***Geopark***
- ***Sertecpet***
- ***TechnipFMC***
- ***Tecnicas Reunidas***
- ***Yokogawa***
- ***Honeywell***
- ***Pemex***
- ***Maire Tecnimont***
- ***Halliburton***
- ***Perenco***
- ***Gran Tierra Energy***
- ***ABB***