

INSTRUMENTATION
VALVES



COMFIT-USA

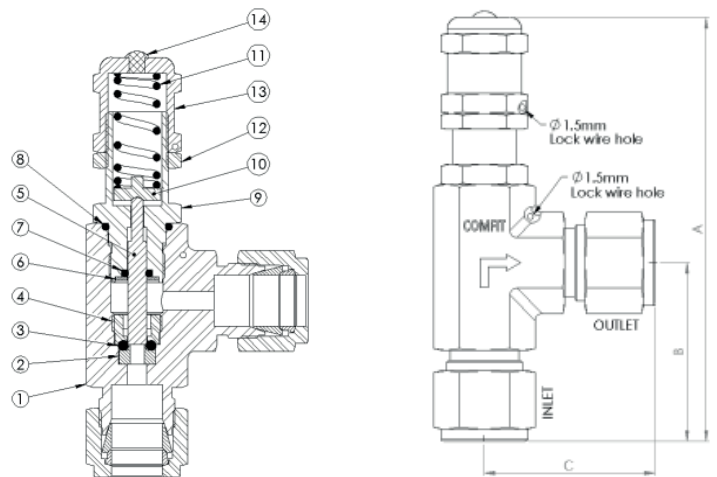
A DIVISION OF  **LamarUSA**
INSTRUMENTATION & CONTROL

www.comfit-usa.com

RELIEF VALVES



| SR. NO. | DESCRIPTION | DESCRIPTION |
|---------|----------------|-------------|
| 1 | BODY | SS 316 |
| 2 | SEAT INSERT | SS 316 |
| 3 | ORING | VITON |
| 4 | SEAT RETAINER | SS 316 |
| 5 | STEM | SS 316 |
| 6 | WASHER | SS 304 |
| 7 | ORING | VITON |
| 8 | ORING | VITON |
| 9 | RELIEF BONNET | SS 316 |
| 10 | SPRING SUPPORT | SS 304 |
| 11 | SPRING | SS 304 |
| 12 | CHECK NUT | SS |
| 13 | BONNET CAP | SS 304 |
| 14 | PLUG | PLASTIC |



FEATURES:

- Compact designed one piece body to reduce space
- Service up to 6000 psig (413 bar)
- Multiple springs for a selection of set pressure ranges
- Low friction bonnets to increase both accuracy and to improve consistency of cracking and reseal pressure
- Valves available factory-set to a specified set pressure
- Identifying colour coded springs and labels indicate spring cracking pressure

SPECIFICATION:

- Temperature Range: -40 to 300°F (-40 to 148°C)
- Valves preset to a specified set pressure are available
- Orifice: 3.6 mm
- Wide range of O-ring and seat materials
- Connection type: BSP Thread, NPT Thread and tube end
- 316 SS valve body

| RELIEF VALVES | | | | | |
|------------------|--------------|----------------|-----|----|----|
| VALVE CONNECTION | | PRODUCT CODE | A | B | C |
| INLET | OUTLET | | | | |
| 1/4" ODT | | 4T-CRVH-4T | 102 | 42 | 31 |
| 3/8" ODT | | 6T-CRVH-6T | 102 | 42 | 32 |
| 1/2" ODT | | 8T-CRVH-8T | 105 | 45 | 32 |
| 6MM ODT | | 6MT-CRVH-6MT | 102 | 42 | 31 |
| 10MM ODT | | 10MT-CRVH-10MT | 102 | 42 | 33 |
| 12MM ODT | | 12MT-CRVH-12MT | 105 | 45 | 33 |
| 1/4" NPT (M) | 1/4" NPT (F) | 4NM-CRVH-4NF | 94 | 34 | 25 |
| 3/8" NPT (M) | 3/8" NPT (F) | 6NM-CRVH-6NF | 94 | 34 | 25 |
| 1/2" NPT (M) | 1/2" NPT (F) | 8NM-CRVH-8NF | 97 | 37 | 30 |

RELIEF VALVES

HOW TO ORDER



| INLET | |
|----------|-----|
| 1/2 NPTM | 8NM |
| 1/2 NPTF | 8NF |
| 1/2 ODT | 8T |

| VALVE SERIES | |
|---------------|------|
| HIGH PRESSURE | CRVH |

| OUTLET | |
|----------|-----|
| 1/2 NPTM | 8NM |
| 1/2 NPTF | 8NF |
| 1/2 ODT | 8T |



| PRESSURE RANGE PSIG (BAR) | |
|----------------------------------|---|
| 50 to 350 (3.4 to 24.1) BLUE | A |
| 350 to 750 (24.1 to 51.7) YELLOW | B |
| 750 to 1500 (51.7 to 103) PURPLE | C |
| 1500 to 2250 (103 to 155) ORANGE | D |
| 2250 to 3000 (155 to 206) BROWN | E |
| 3000 to 4000 (206 to 275) WHITE | F |
| 4000 to 5000 (275 to 344) RED | G |
| 5000 to 6000 (344 to 413) GREEN | H |

| SEAL MATERIAL | |
|---------------|----------|
| FKM/VITON | STANDARD |
| BUNA-N | P2 |
| HNBR | P4 |

| MATERIAL | |
|----------|----------|
| SS316 | STANDARD |
| SS316L | S2 |
| SS304 | S3 |
| SS304L | S4 |



☎ **(+1) 713 731 5057 - Main**

✉ **sales@comfit-usa.com**

☎ **(+1) 786 538 0405 - Sales**

📍 **3105 NW 107th Avenue, Suite 400
Doral, FL 33172**

Some of our main customers worldwide:

- *Ecopetrol*
- *Petro Ecuador*
- *Tecpetrol*
- *Geopark*
- *Sertecpet*
- *TechnipFMC*
- *Tecnicas Reunidas*
- *Yokogawa*
- *Honeywell*
- *Pemex*
- *Maire Tecnimont*
- *Halliburton*
- *Perenco*
- *Gran Tierra Energy*
- *ABB*