



INSTRUMENT MANIFOLDS

OUR COMPANY

Comfit and Valves Pvt. Limited is a renowned provider of high-quality instrumentation products designed to meet the diverse needs of various industries. Founded by a highly skilled team of technocrats, the company is dedicated to offering world-class products and setting new industry standards.

The company has had a significant impact by providing top-notch products at competitive prices. Its focus on simplifying system installation and maintenance has significantly reduced project installation time and maintenance repair time while eliminating all instrument connection leaks and fugitive emissions. The company boasts state-of-the-art precision machinery and high-quality instruments and gauges to ensure accurate and precise production of its wide range of products, including tube fittings, pipe fittings, instrument valves, sampling systems, siphons, air distribution headers, thermowells, prefabricated connections, and orifice plates and flanges. These instrument accessories are available in different sizes and metals such as carbon steel, stainless steel, brass, monel, hastalloy C, duplex, superduplex, inconel, and other materials as per customer requirements.

Comfit and Valves Pvt. Limited has become a pioneer in many significant industrial segments by meeting a wide range of industrial needs. The company serves various industries, including oil and gas, nuclear/thermal/gas power plants, shipbuilding, analytical and research facilities, GNC, chemicals and fertilizers, pharmaceuticals, water treatment plants, and many more. Comfit and Valves Pvt. Limited is one of the few instrument accessories manufacturers equipped with facilities to clean products according to the demanding ASME G93 standards for highly oxidizing applications. The company offers services such as high-purity oxygen and hydrogen peroxide.

The company is committed to maintaining the highest quality standards in its operations. With a rigorous focus on production methods and processes, the company maintains a constant and vigilant commitment to ensuring exceptional quality. It adheres to the strictest industry values and performance standards, and its management system complies with ISO 9001:2008, ISO 14001:2004, and BS 18001:2007 standards. Comfit and Valves Pvt. Limited is driven by a dedicated and forward-thinking team that consistently achieves challenging production goals through exceptional skill and commitment. The company is determined to become the go-to provider for a wide range of instrumentation solutions, all in one place, and is focused on achieving this goal with unwavering dedication.

INSTRUMENT MANIFOLDS

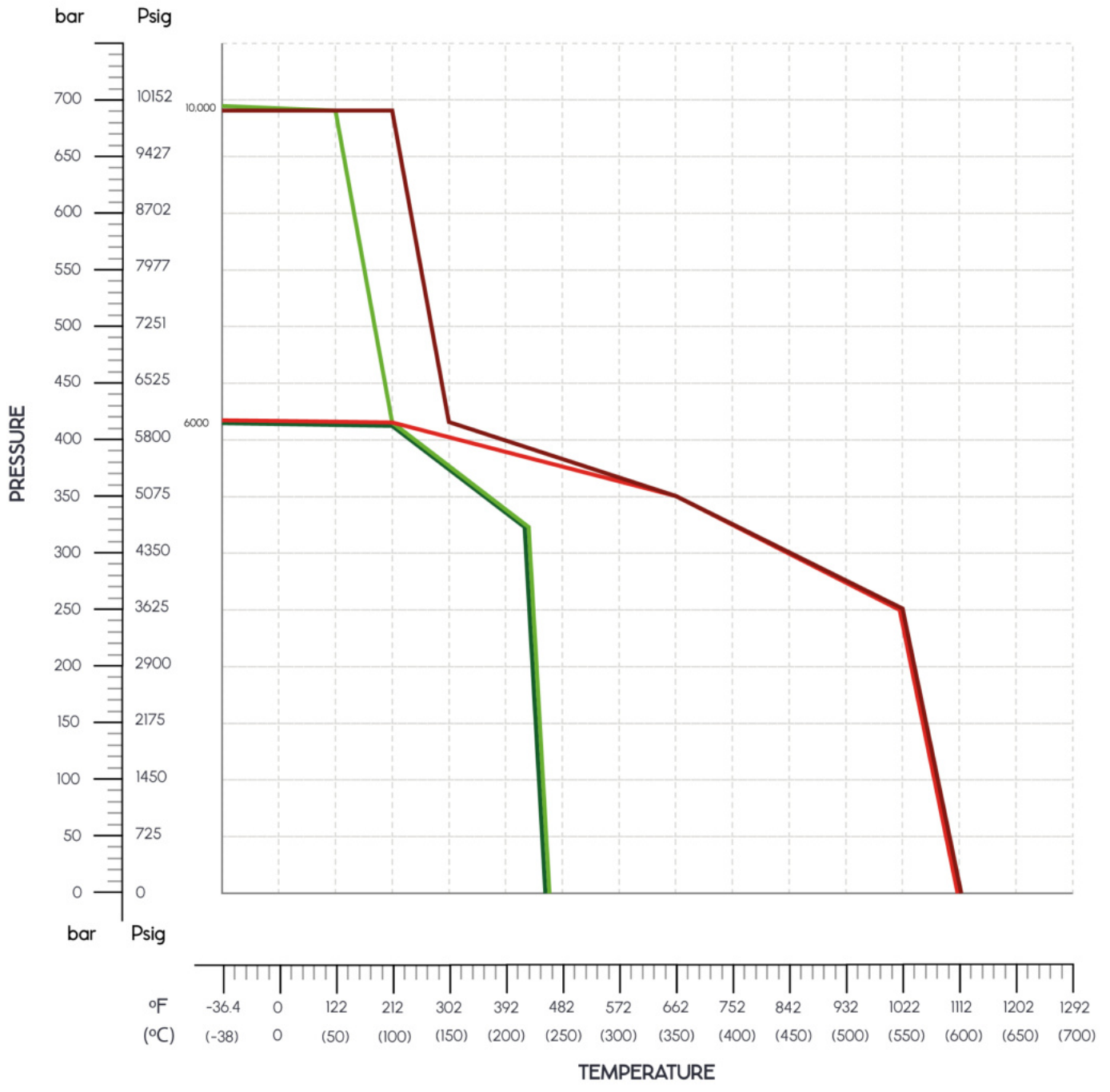
Comfit's manifold products are a range of specialized components designed for fluid and gas control applications. These manifolds play a crucial role in regulating and distributing fluids within industrial systems. Comfit offers a variety of manifold products, including tube fittings, instrument valves, and distribution headers. These components are crafted with precision to ensure accurate control and are available in different sizes and materials to meet the specific requirements of diverse industries.

The manifolds provided by Comfit are known for their high quality and reliability, making them suitable for applications in industries such as oil and gas, power generation, chemical processing, and more. They are designed to simplify the installation and maintenance of fluid control systems, reducing downtime and enhancing overall system efficiency.

Comfit's manifold products adhere to stringent industry standards and are manufactured using advanced technologies to ensure they meet the demanding needs of industrial processes. Whether it's for regulating flow, pressure, or temperature, Comfit's manifold solutions offer dependable performance and contribute to the seamless operation of various industrial systems.



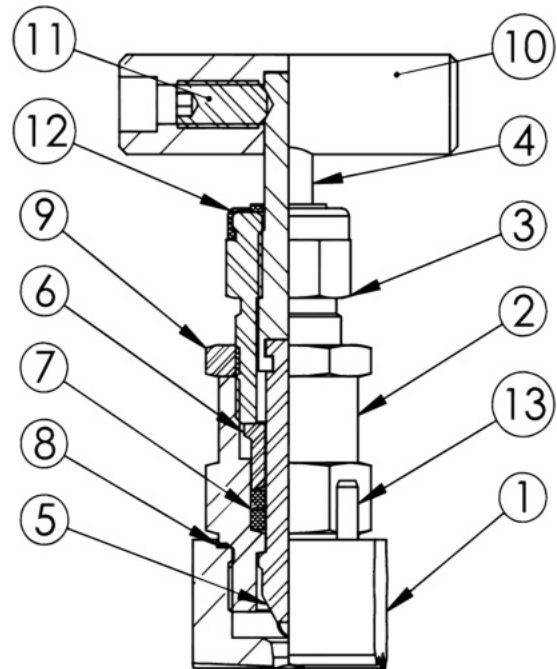
PRESSURE V/S TEMPERATURE CHART NEEDLE VALVE & MANIFOLD



DIMENSIONS FOR REFERENCE ONLY, SUBJECT TO CHANGE.

BONNET ASSEMBLY

NO.	SW-TITLE(TITLE)	QTY.	MATERIAL
1	Body	1	SS 316
2	Bonnet	1	SS 316
3	Bonnet Pusher	1	SS 304
4	Upper stem	1	SS 316
5	Lower stem	1	SS 316
6	Gland	1	SS 316
7	Packing	2	PTFE
8	Bonnet Seal	1	SS 316
9	Check Nut	1	SS 304
10	Handle	1	SS 304
11	Grub Screw	1	SS
12	Dust Cap	1	PLASTIC
13	Stopper Pin	1	SS 304
14	Male Plug	1	SS 316



MOUNTING KIT

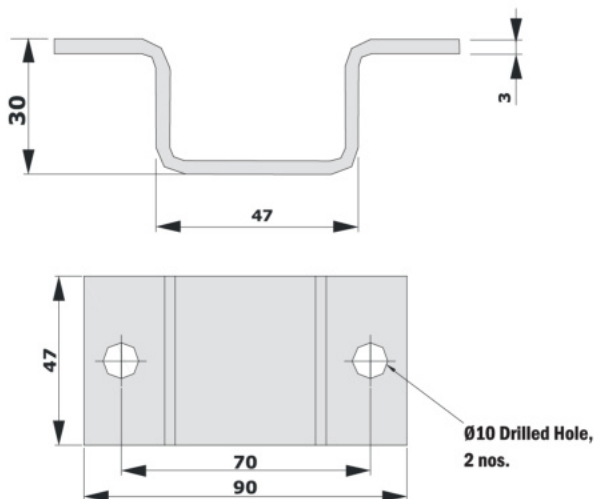
Brackets, U-Bolts, Nuts, washer and Bolts are included in the kit

Simple to install bracket for horizontal/vertical 2" stand pipe, wall, panel or base mounting & suitable for all direct & remote mounting manifolds.

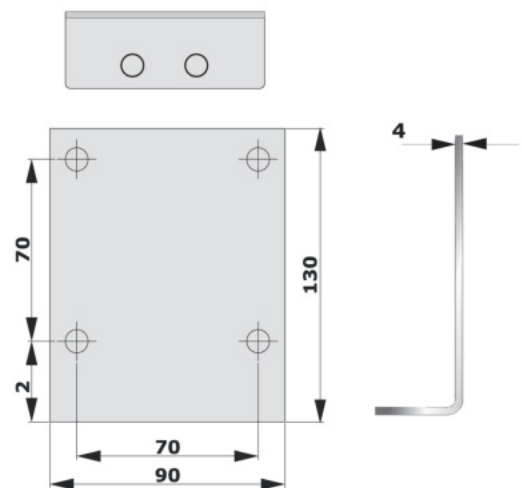
Bracket stand-off prevents handle obstruction & design enables horizontal or vertical instrument

BRACKETS

Product Code:
BKT001



Product Code:
BKT003

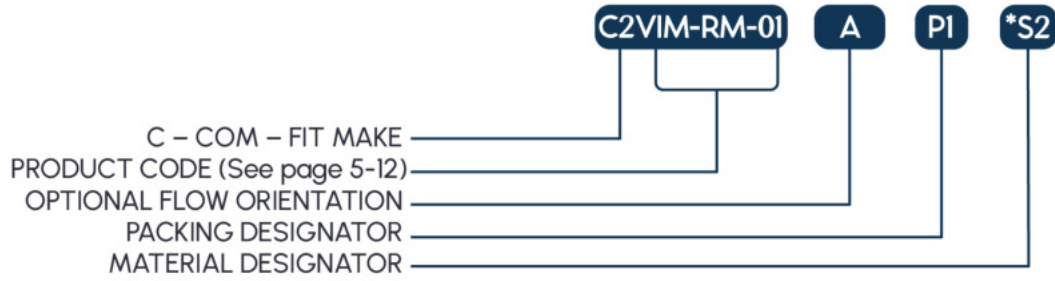


Selection of mounting kit depends on the type of manifold valve and it's position (Vertical or Horizontal)



2 WAY INSTRUMENT MANIFOLDS

ORDERING CODE FOR INSTRUMENT MANIFOLD VALVE



PACKING

DESIGNATOR

PTFE – Temp – 250° F To + 405° F _____ Standard by default
 GRAFOIL – Temp 700°F _____ P1
 PEEK – Temp 572° F _____ P2
 BUNA – N – Temp 35° F to 250° F _____ P3
 VITON – Temp 20° F to + 400° F _____ P4

Note: * No need to designate "S1" for SS 316 Material

MATERIAL

SS 316
 STEEL
 SS 316L
 SS 316/SS 316L
 SS 304
 SS 304L
 CARBON STEEL
 P/F 321
 SS 347
 P/F 11
 P/F 22
 P/F 5
 A105N
 P/F 91
 LF2
 ALUMINIUM
 BRASS
 ALLOY 20
 ALLOY C-276
 ALLOY 600
 ALLOY 825
 ALLOY 625
 TITANIUM
 MODEL 400
 DUPLEX-F60 / S32205
 DUPLEX-F51 / S31803
 DUPLEX-F53 / S32750
 DUPLEX-F55 / S32760
 NACE MR-0175
 NACE MR-0103

DESIGNATOR

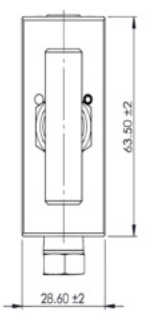
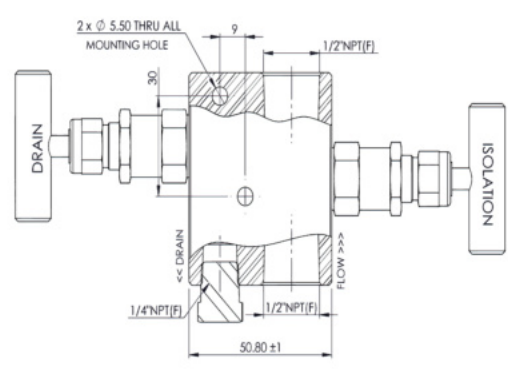
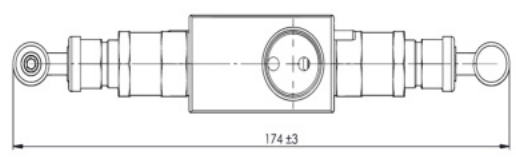
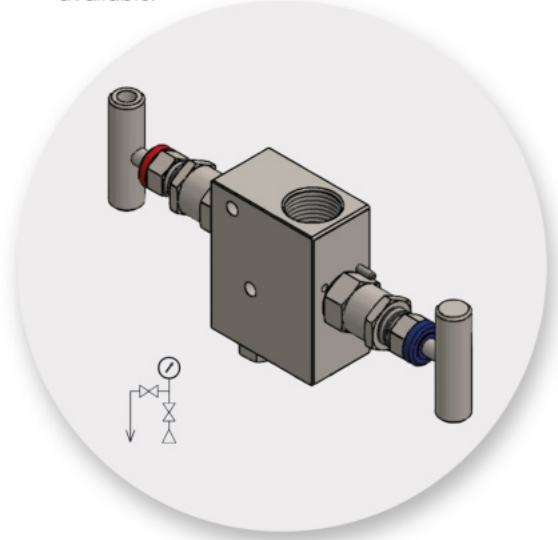
Standard by default
 S
 S2
 SIS2
 S3
 S4
 S5
 S6
 S7
 S8
 S9
 S10
 S11
 S12
 LF2
 AL
 B
 C20
 HC
 INC
 INC 1
 INC 2
 TI
 M
 D
 D1
 D3
 D5
 NM
 NM1

TWO VALVE INSTRUMENT MANIFOLDS

Remote / Direct Mounted Differential Pressure Manifolds
 Low Pressure 6000 Psi (414 Barg)
 High Pressure Up To 10.000 Psi Available On Request

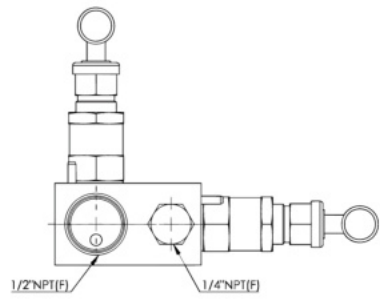
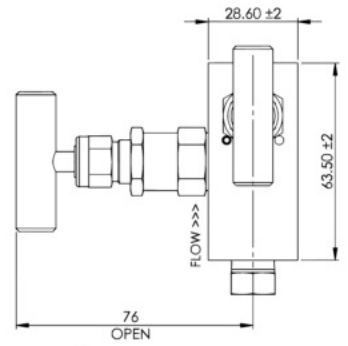
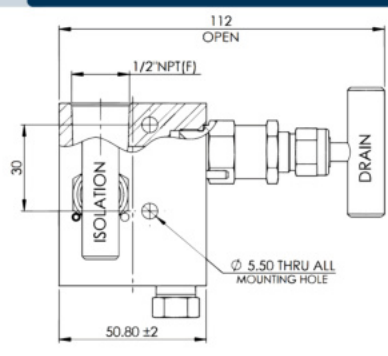
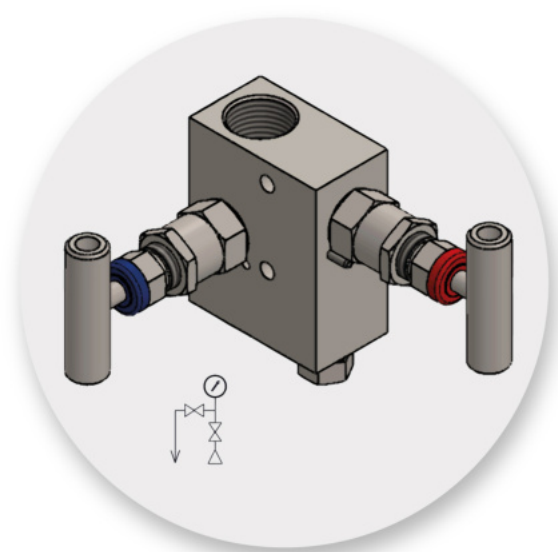
MODEL NO: C2VIM-RM-01 SPECIFICATION

- Valve type :2 valve instrument manifold, remote mounting static pressure,
- Max. Working pressure: 6000 psig
- Available for pressure a to: 10000 psig
- Process connection: 1/2"NPT(F)
- Instrument connection: 1/2" NPT(F)
- Drain connection : 1/4" NPT (F)
- Temperature rating: 450°F (232°C)
- Packing: PTFE, GRAFOIL or on the option available.



MODEL NO: C2VIM-RM-02 SPECIFICATION

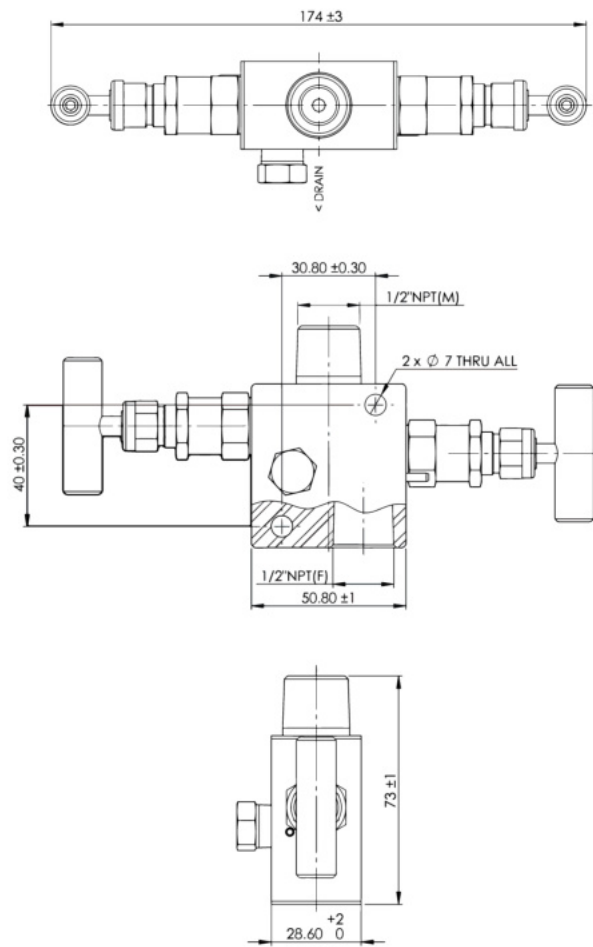
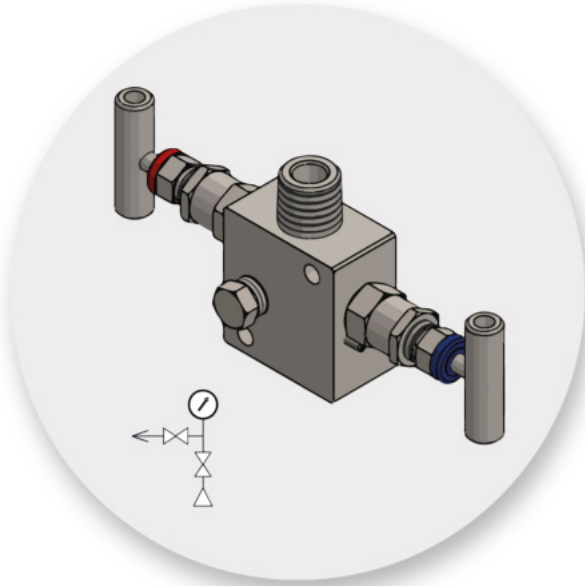
- Valve type :2 valve instrument manifold, remote mounting static pressure,
- Max. Working pressure: 6000 psig
- Available for pressure a to: 10000 psig
- Process connection: 1/2" NPT(F)
- Instrument connection: 1/2" NPT(F)
- Drain connection: 1/4" NPT(F), with ss 316 maleplug
- Temperature rating: 450°F (232°C)
- Packing: PTFE, GRAFOIL or on the option available.



DIMENSIONS FOR REFERENCE ONLY, SUBJECT TO CHANGE.

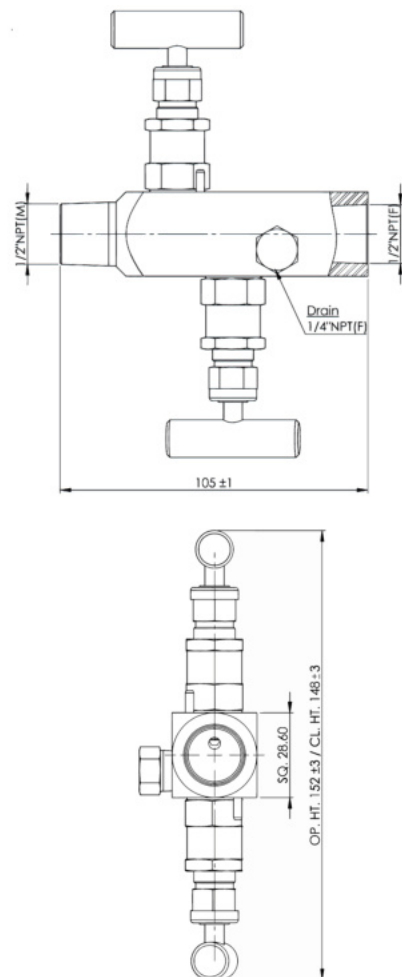
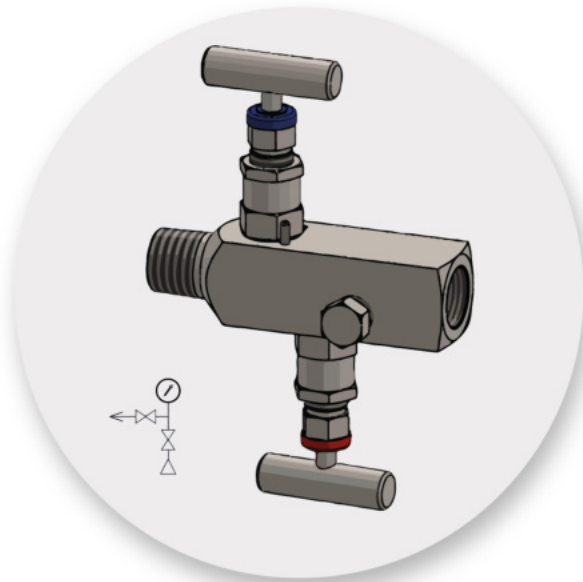
MODEL NO: C2VIM-RM-03 SPECIFICATION

- Valve Type: 2 Valve Instrument Manifold.
- Remote Mounting Static Pressure.
- Process Connection: 1/2" NPT(F).
- Instrument Connection: 1/2" NPT(M).
- Drain Connection: 1/4" NPT(F).
- Max. Working pressure: 6000 psig
- Available for pressure a to: 10000 psig
- Temperature rating: 450°F (232°C)
- Packing: PTFE, GRAFOIL or on the option available.
- Orifice : 4mm



MODEL NO: C2VIM-RM-05 SPECIFICATION

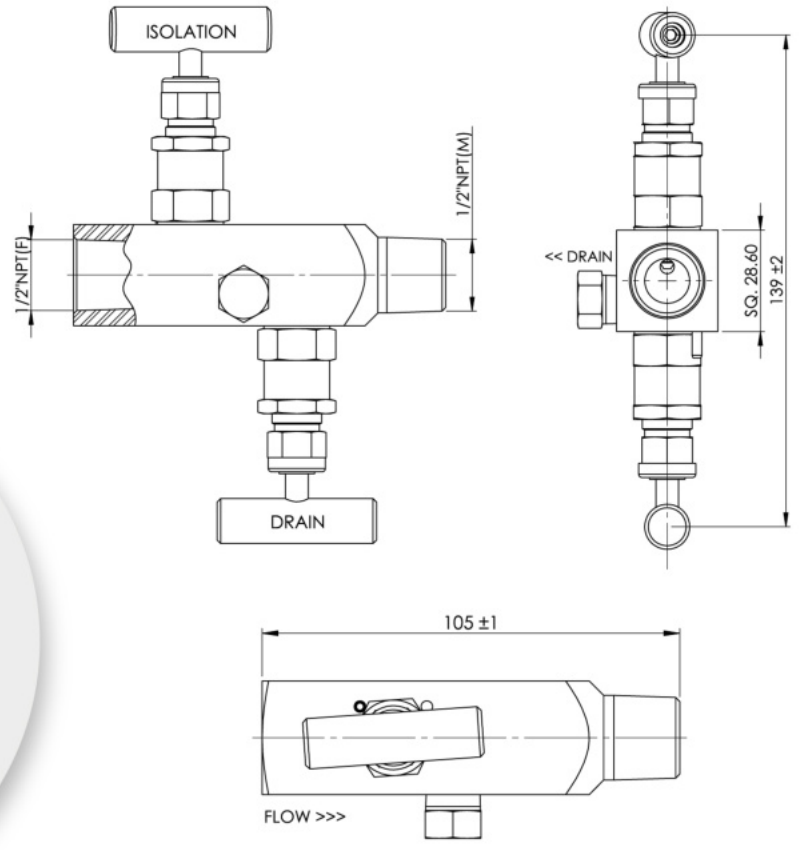
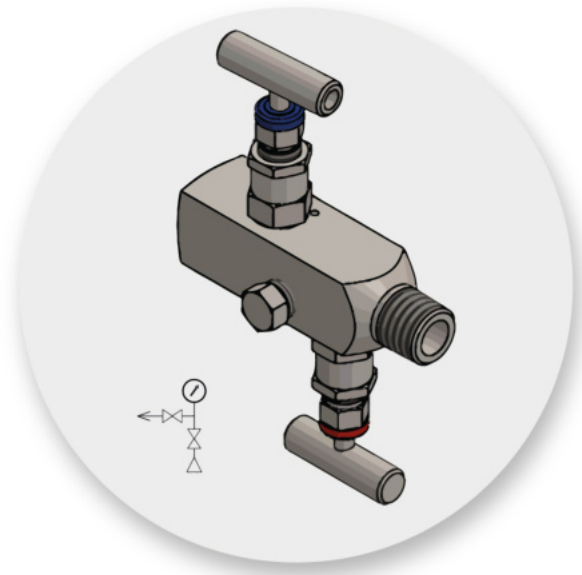
- Valve type: remote mounting static pressure, 2 valve instrument manifold
- Max. Working pressure: 6000 psig
- Available for pressure a to: 10000 psig
- Process connection: 1/2" NPT (M)
- Instrument connection: 1/2" NPT (F)
- Drain connection: 1/4" NPT (F)
- Temperature rating: 450°F (232°C)
- Packing: PTFE, GRAFOIL or on the option available.



DIMENSIONS FOR REFERENCE ONLY, SUBJECT TO CHANGE.

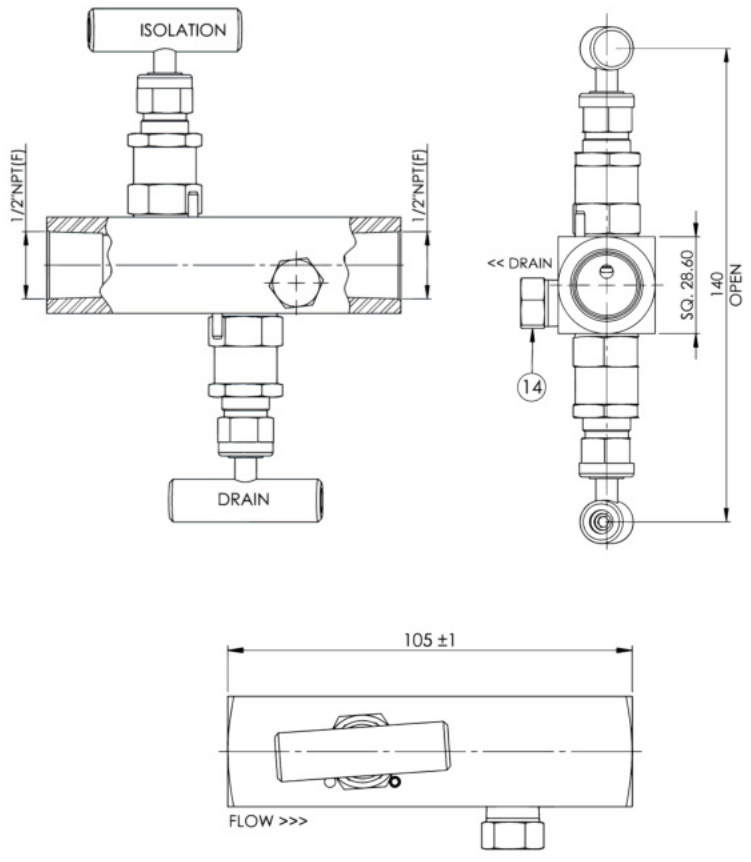
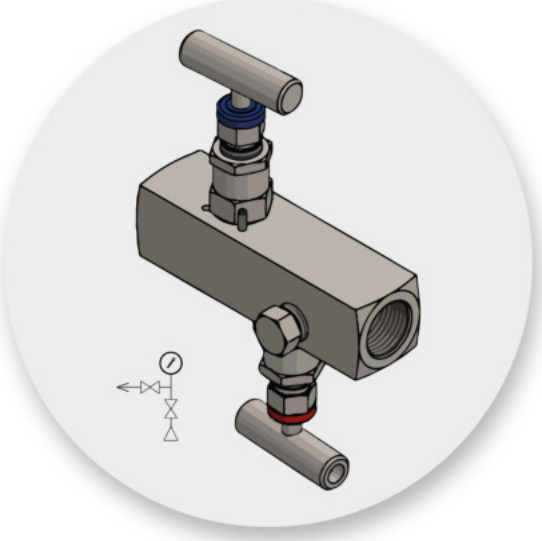
MODEL NO: C2VIM-RM-05A SPECIFICATION

- Valve type: remote mounting static pressure, 2 valve instrument manifold
- Process connection: 1/2" NPT(F)
- Instrument connection: 1/2" NPT(M)
- Drain connection: 1/4" NPT(F)
- Max. Working pressure: 6000 psig
- Available for pressure a to: 10000 psig
- Temperature rating: 450°F (232°C)
- Packing: PTFE, GRAFOIL or on the option available



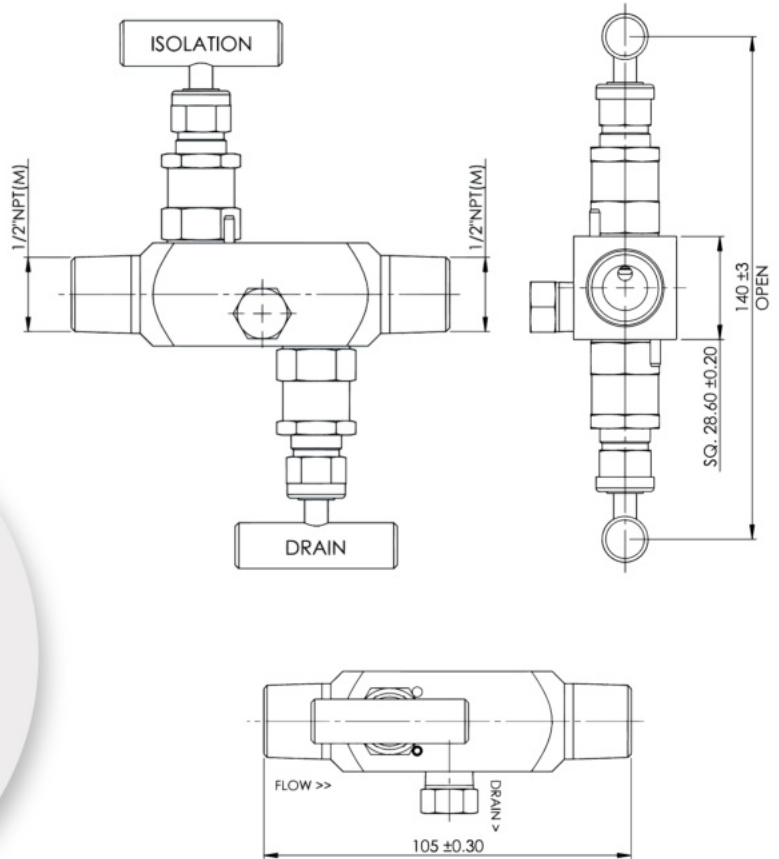
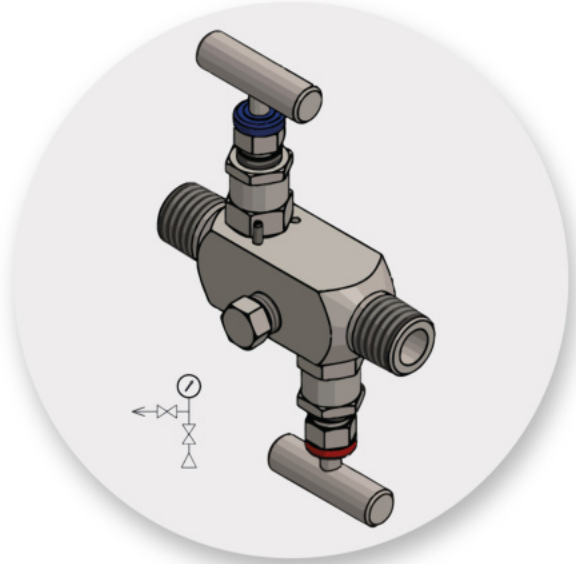
MODEL NO: C2VIM-RM-05C SPECIFICATION

- Valve type: remote mounting static pressure, 2 valve instrument manifold
- Process connection: 1/2" NPT(F)
- Instrument connection: 1/2" NPT(F)
- Drain connection: 1/4" NPT(F)
- Max. Working pressure: 6000 psig
- Available for pressure a to: 10000 psig
- Temperature rating: 450°F (232°C)
- Packing: PTFE, GRAFOIL or on the option available



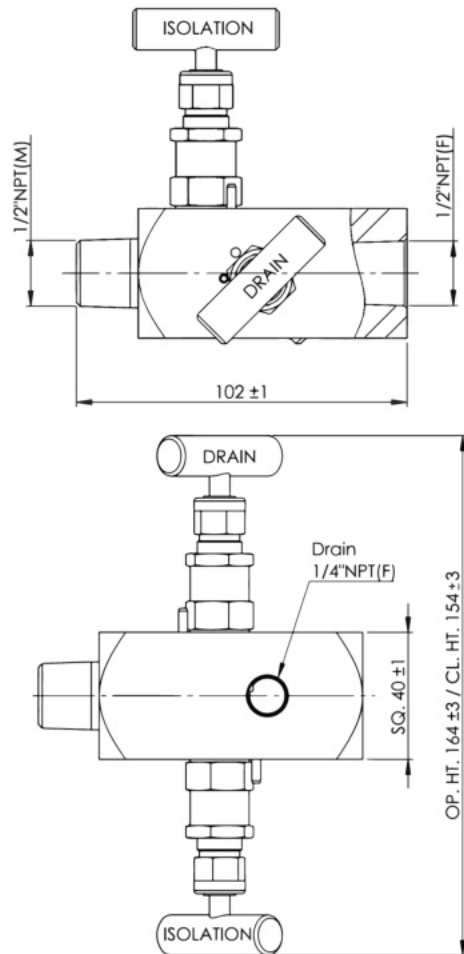
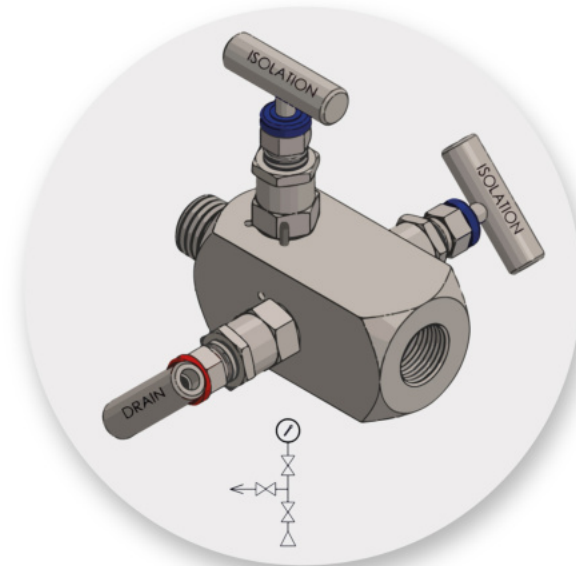
MODEL NO: C2VIM RM-05D SPECIFICATION

- Valve type: remote mounting static pressure, 2 valve instrument manifold
- Process connection: 1/2" NPT(M)
- Instrument connection: 1/2" NPT(M)
- Drain connection: 1/4" NPT(F)
- Max. Working pressure: 6000 psig
- Available for pressure a to: 10000 psig
- Temperature rating: 450°F (232°C)
- Packing: PTFE, GRAFOIL or on the option available.



MODEL NO: C2VIM RM-07 SPECIFICATION

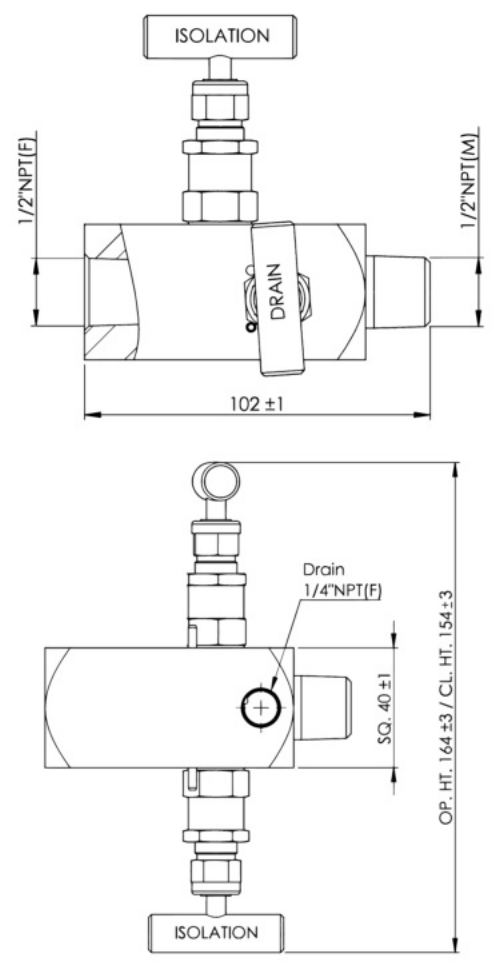
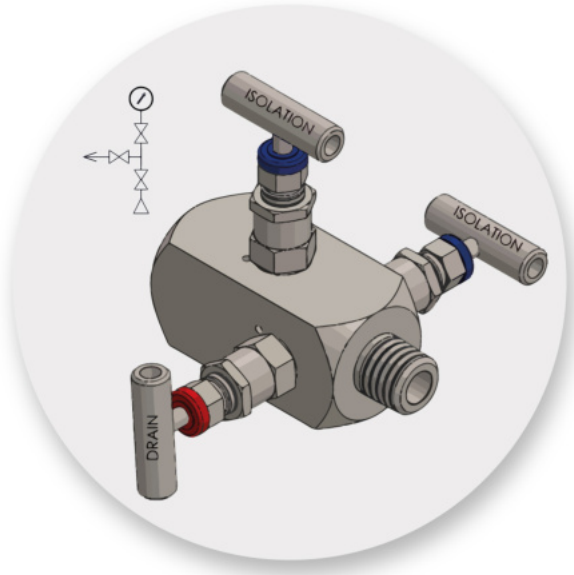
- Valve type : remote mounting static pressure, 2 valve instrument manifold,
- Process connection : 1/2" NPT(M),
- Instrument connection : 1/2" NPT(F),
- Drain connection : 1/4" NPT(F), with male plug
- Max. Working pressure: 6000 psig
- Available for pressure a to: 10000 psig
- Temperature rating: 450°F (232°C)
- Packing: PTFE, GRAFOIL or on the option available.



DIMENSIONS FOR REFERENCE ONLY, SUBJECT TO CHANGE.

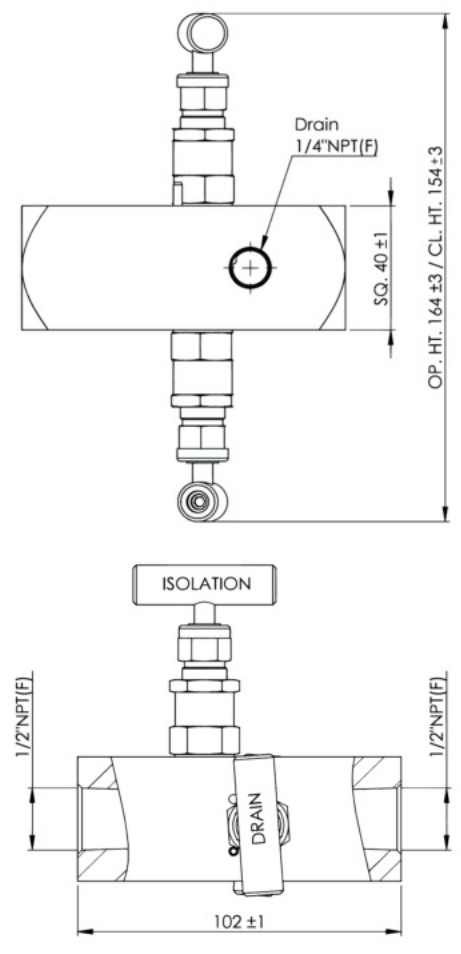
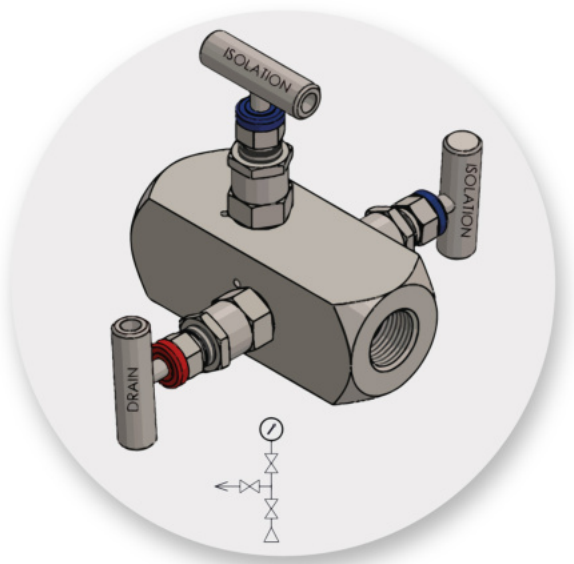
MODEL NO: C2VIM-RM-07A SPECIFICATION

- Valve type: 2 valve instrument manifold remote mounting static pressure.
- Max. Working pressure: 6000 psig
- Available for pressure a to: 10000 psig
- Process connection: 1/2" NPT(F)
- Instrument connection: 1/2" NPT(M)
- Drain connection: 1/4" NPT(F) with male plug
- Temperature rating: 450°F (232°C)
- Packing: PTFE, GRAFOIL or on the option available.



MODEL NO: C2VIM RM-07C SPECIFICATION

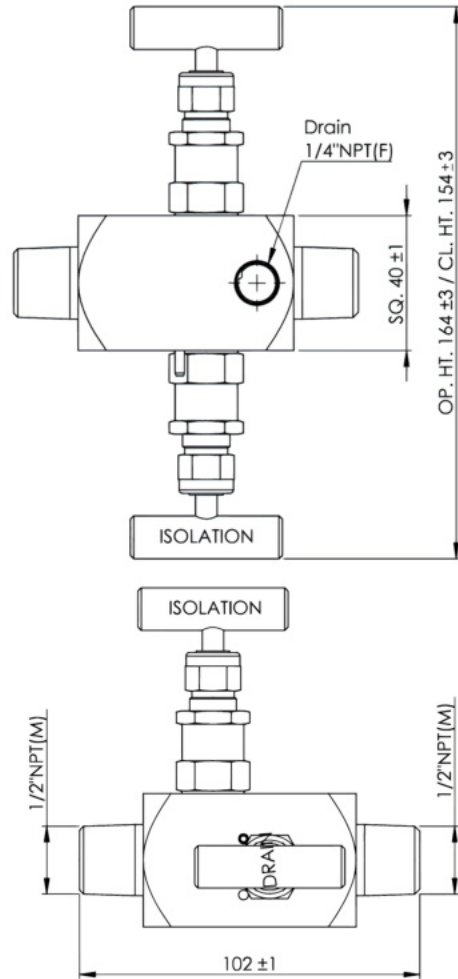
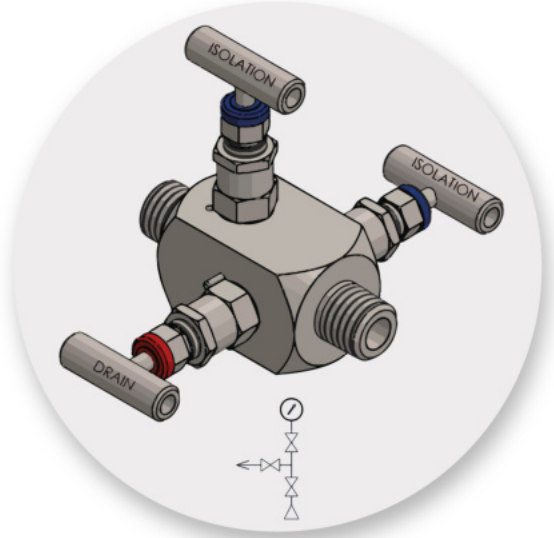
- Valve type: 2 valve instrument manifold, remote mounting static pressure.
- Max. Working pressure: 6000 psig
- Available for pressure a to: 10000 psig
- Process connection: 1/2" NPT (F)
- Instrument connection: 1/2" NPT (F)
- Drain connection: 1/4" NPT (F), with male plug
- Temperature rating: 450°F (232°C)
- Packing: PTFE, GRAFOIL or on the option available.



DIMENSIONS FOR REFERENCE ONLY, SUBJECT TO CHANGE.

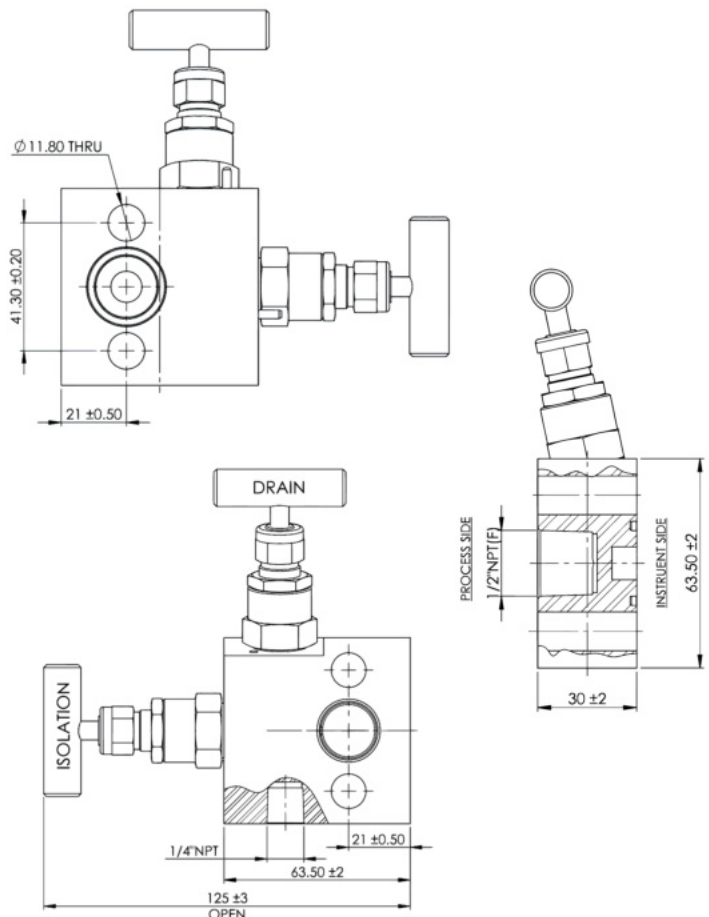
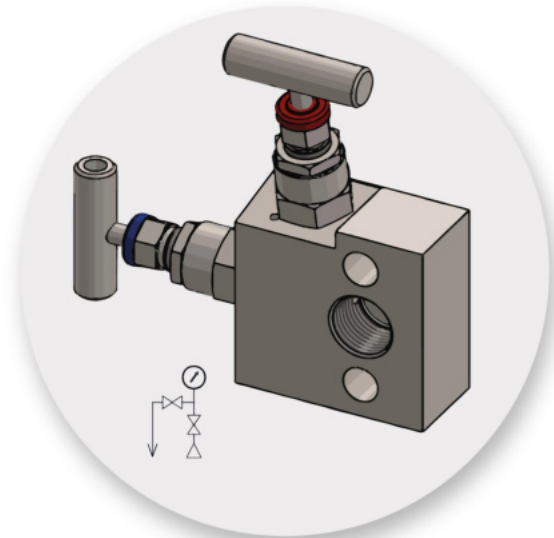
MODEL NO: C2VIM-RM-07D SPECIFICATION

- Valve type: 2 valve instrument manifold, remote mounting static pressure,
- Max. Working pressure: 6000 psig
- Available for pressure a to: 10000 psig
- Process connection: 1/2" npt(m)
- Instrument connection: 1/2" npt(m)
- Drain connection: 1/4" npt(f), with male plug
- Temperature rating: 450°F (232°C)
- Packing: PTFE, GRAFOIL or on the option available.



MODEL NO: C2VIM-DM-01 SPECIFICATION

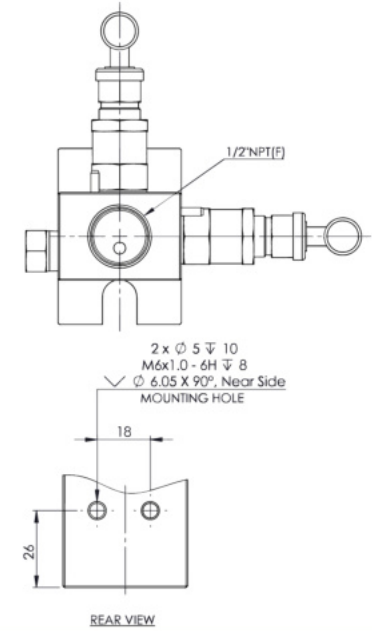
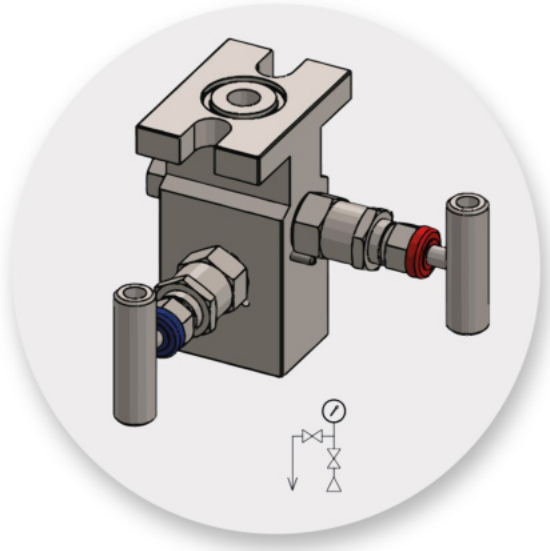
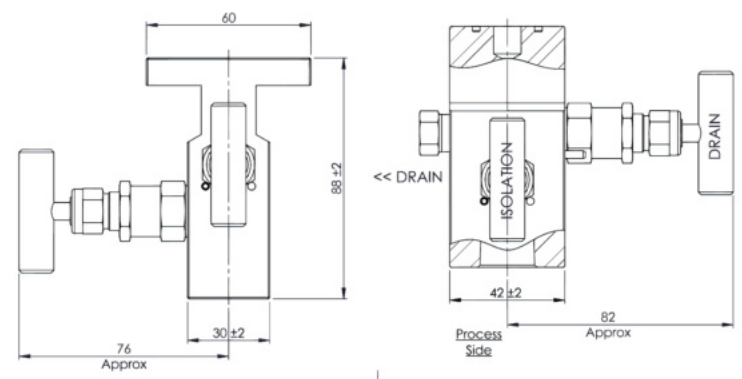
- Valve Type: 2 Valve Instrument Manifold
- Direct Mounting Differential Pressure
- Max. Working pressure: 6000 psig
- Available for pressure a to: 10000 psig
- Process Connection: 1/2" NPT (F)
- Instrument Connection: Flange (AS PER IEC 61518, Type-B)
- Drain Connection: 1/4" NPT (F)
- Body material: SS 316
- Trim material: SS 316
- Temperature rating: 450°F (232°C)
- Packing: PTFE, GRAFOIL or on the option available.



DIMENSIONS FOR REFERENCE ONLY, SUBJECT TO CHANGE.

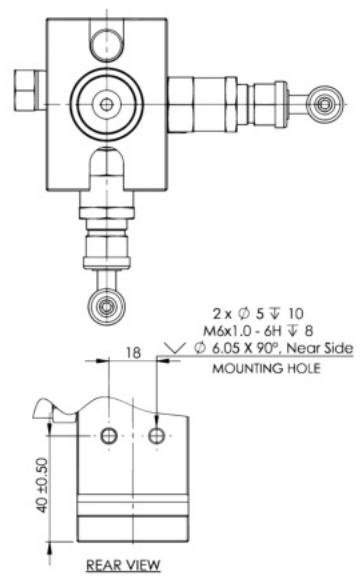
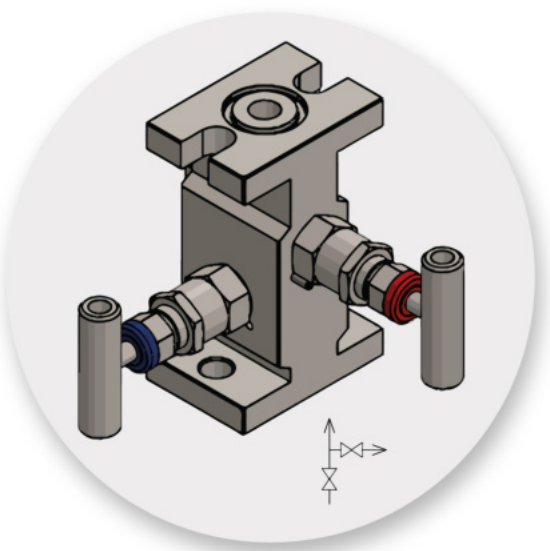
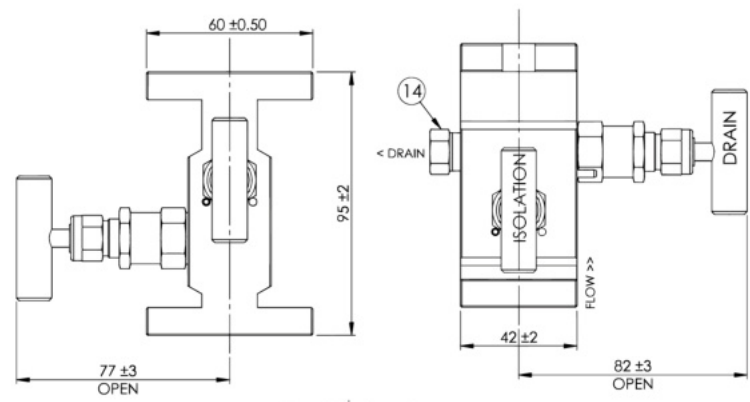
MODEL NO: C2VIM-DM-02 SPECIFICATION

- Valve Type: 2 Valve Instrument Manifold Direct Mounting Differential Pressure
- Max. Working pressure: 6000 psig
- Available for pressure a to: 10000 psig
- Process Connection: 1/2"NPT(F)
- Instrument Connection: Flange (AS PER IEC 61518)
- Drain Connection: 1/4" NPT(F), WITH PLUG
- Body material: SS 316
- Trim material: SS 316
- Temperature rating: 450°F (232°C)
- Packing: PTFE, GRAFOIL or on the option available.

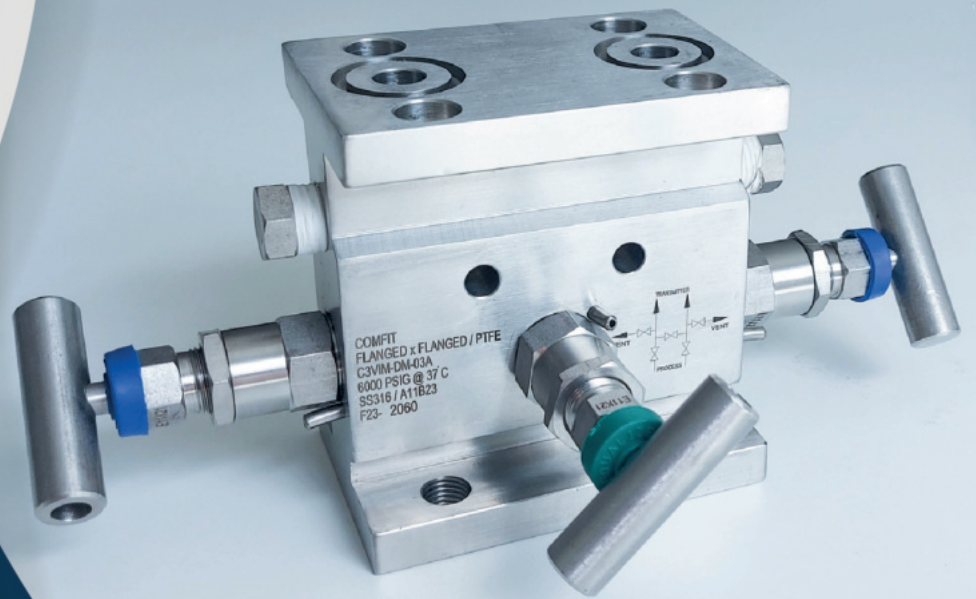


MODEL NO: C2VIM-DM-03 SPECIFICATION

- Valve Type :2 Valve Instrument Manifold Direct Mounting Differential Pressure
- Max. Working pressure: 6000 psig
- Available for pressure a to: 10000 psig
- Process Connection: Flange (as per IEC 61518)
- Instrument Connection: Flange (as per standardized IEC 61518, Type-B)
- Drain Connection :- 1/4" NPT(F), WITH PLUG
- Temperature rating: 450°F (232°C)
- Packing: PTFE, GRAFOIL or on the option available.



DIMENSIONS FOR REFERENCE ONLY, SUBJECT TO CHANGE.

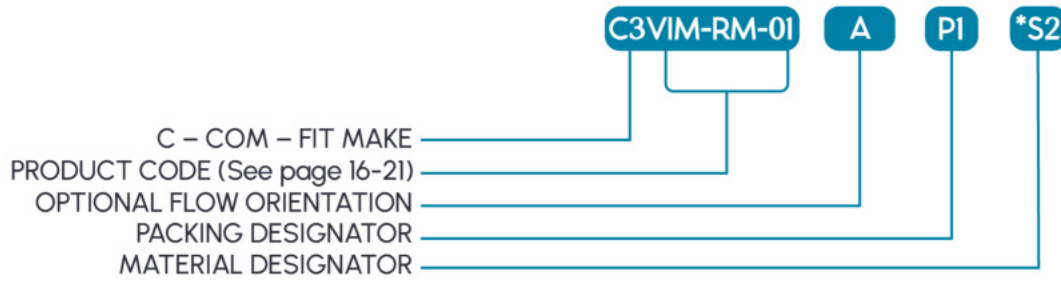


COMFIT
FLANGED x FLANGED / PIPE
C3VIM-DM-403A
6000 PSIG @ 37° C
SS316 / A11823
F23- 2060



3 WAY INSTRUMENT MANIFOLDS

ORDERING CODE FOR INSTRUMENT MANIFOLD VALVE



PACKING

PTFE – Temp – 250° F To + 405° F _____	Standard by default
GRAFOIL – Temp 700°F _____	P1
PEEK – Temp 572° F _____	P2
BUNA – N – Temp 35° F to 250° F _____	P3
VITON – Temp 20° F to + 400° F _____	P4

Note: * No need to designate "S1" for SS 316 Material

DESIGNATOR

MATERIAL

SS 316
 STEEL
 SS 316L
 SS 316/SS 316L
 SS 304
 SS 304L
 CARBON STEEL
 P/F 321
 SS 347
 P/F 11
 P/F 22
 P/F 5
 A105N
 P/F 91
 LF2
 ALUMINIUM
 BRASS
 ALLOY 20
 ALLOY C-276
 ALLOY 600
 ALLOY 825
 ALLOY 625
 TITANIUM
 MODEL 400
 DUPLEX-F60 / S32205
 DUPLEX-F51 / S31803
 DUPLEX-F53 / S32750
 DUPLEX-F55 / S32760
 NACE MR-0175
 NACE MR-0103

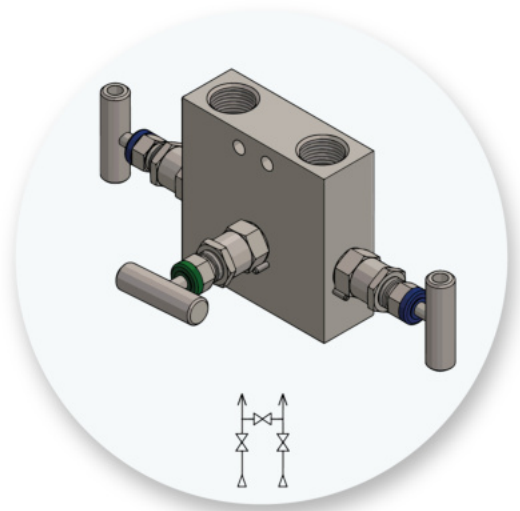
DESIGNATOR

Standard by default
 S
 S2
 SIS2
 S3
 S4
 S5
 S6
 S7
 S8
 S9
 S10
 S11
 S12
 LF2
 AL
 B
 C20
 HC
 INC
 INC 1
 INC 2
 TI
 M
 D
 D1
 D3
 D5
 NM
 NMI

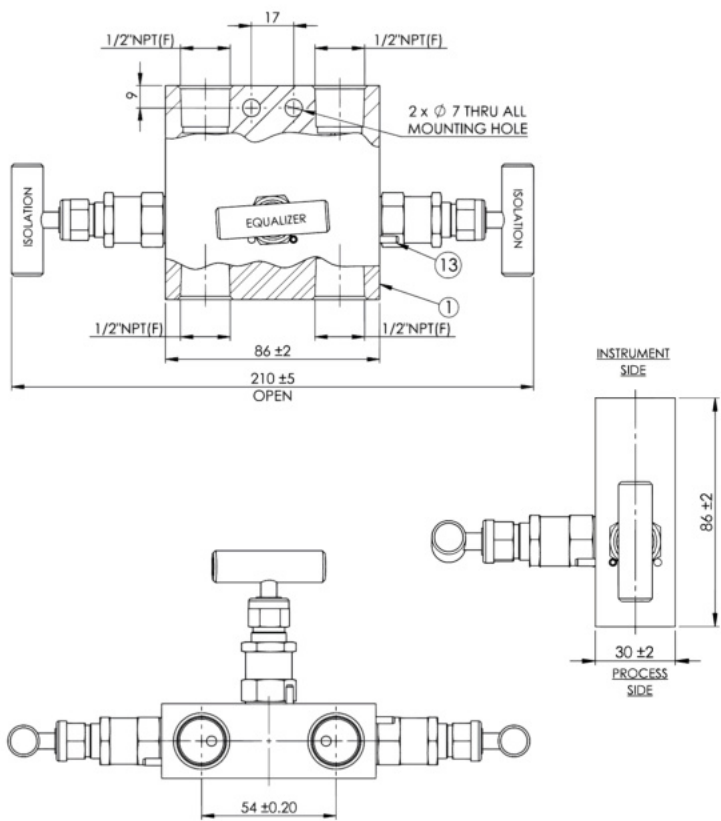
THREE VALVE INSTRUMENT MANIFOLDS

MODEL NO: C3VIM-RM-01 SPECIFICATION

- Valve Type : Remote Mounting Differential Pressure 3 Valve Instrument Manifold
- Process Connection : 1/2"NPT(F)
- Instrument Connection : 1/2"NPT(F)
- Max. Working pressure: 6000 psig
- Available for pressure a to: 10000 psig
- Packing : PTFE (UP TO 232 C)
- Temperature rating: 450°F (232°C)
- Packing: PTFE, GRAFOIL or on the option available..

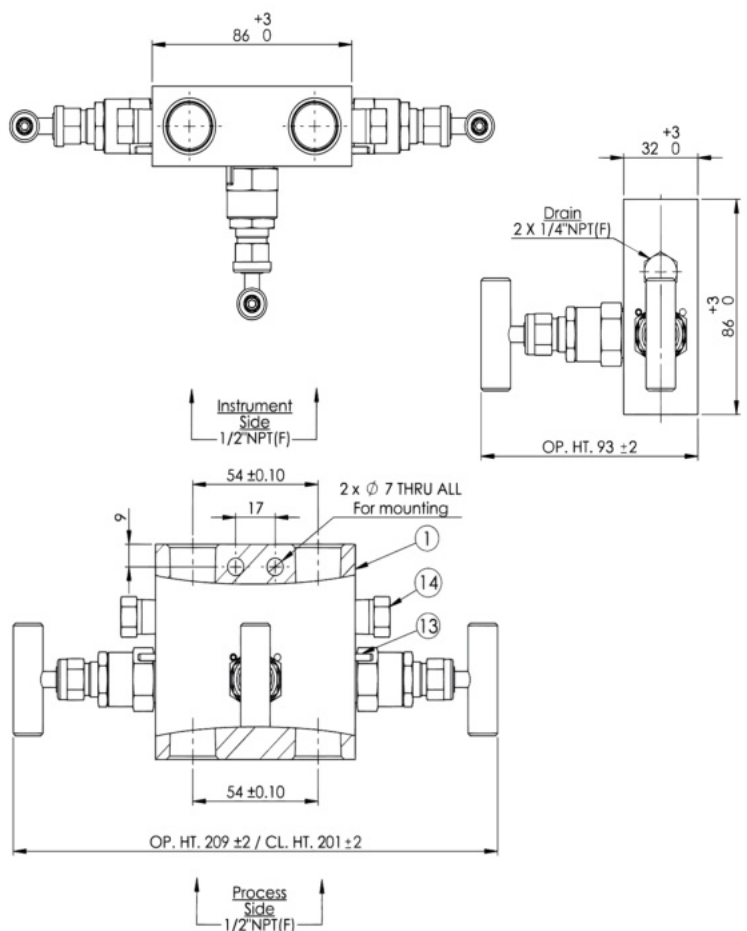
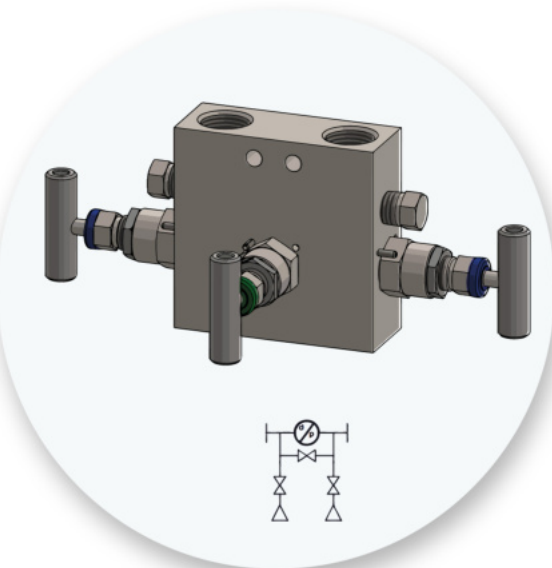


Remote / Direct Mounted Differential Pressure Manifolds
 Low Pressure 6000 Psi (414 Barg)
 High Pressure Up To 10.000 Psi Available On Request



MODEL NO: C3VIM-RM-01A SPECIFICATION

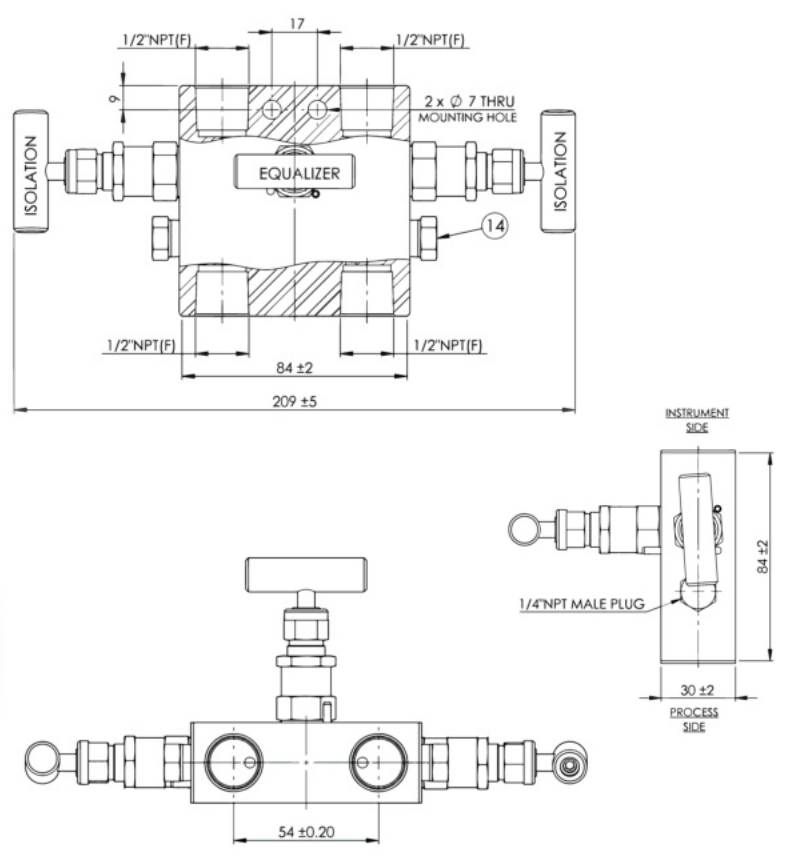
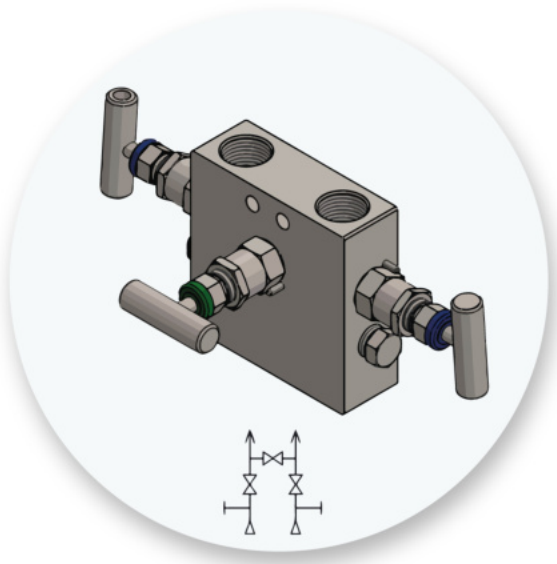
- Valve Type : Remote Mounting Differential Pressure 3 Valve Instrument Manifold
- Max. Working pressure: 6000 psig
- Available for pressure a to: 10000 psig
- Process Connection : 1/2"NPT(F)
- Instrument Connection : 1/2"NPT(F)
- Drain Connection : 1/4"NPT(F)
- Temperature rating: 450°F (232°C)
- Packing: PTFE, GRAFOIL or on the option available.



DIMENSIONS FOR REFERENCE ONLY, SUBJECT TO CHANGE.

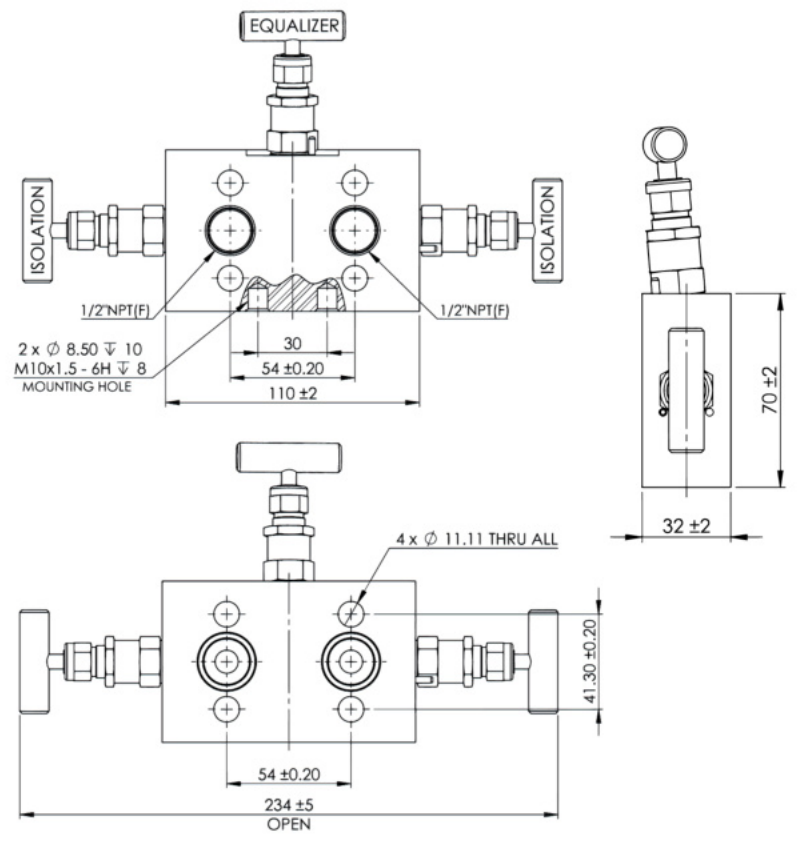
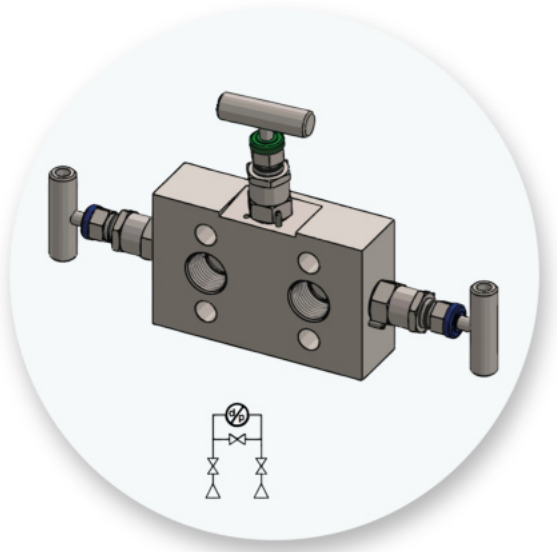
MODEL NO: C3VIM-RM-01B SPECIFICATION

- Valve Type : 3 Valve Instrument Manifold
- Remote Mounting Differential Pressure
- Process Connection : 1/2"NPT(F),
- Instrument Connection : 1/2"NPT(F),
- Test Port : 1/4" NPT(F),
- Max. Working pressure: 6000 psig
- Available for pressure a to: 15000 psig
- Temperature rating: 450°F (232°C)
- Packing: PTFE, GRAFOIL or on the option available.



MODEL NO: C3VIM-DM-01 SPECIFICATION

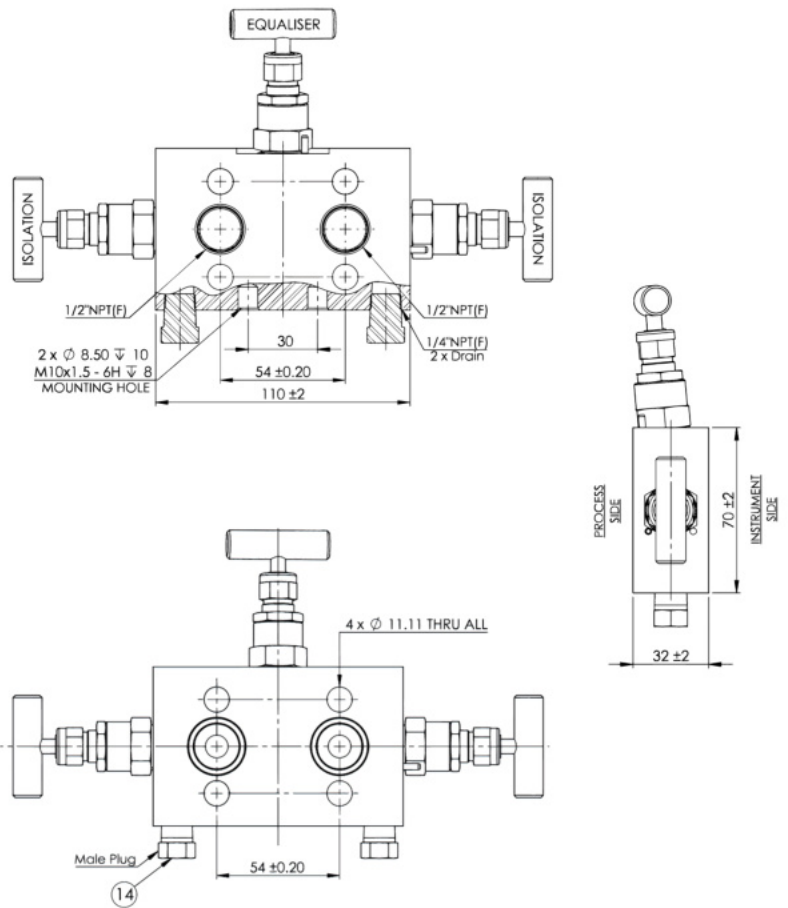
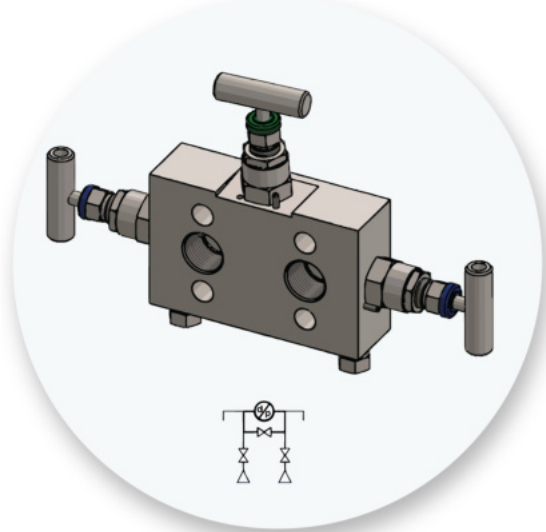
- Valve Type :- Direct Mounting Differential Pressure, 3 Valve Instrument Manifold,
- Max. Working pressure: 6000 psig
- Available for pressure a to: 10000 psig
- Process Connection: 1/2"NPT(F),
- Instrument Connection: Flange (as per IEC 61518, Type B),
- Temperature rating: 450°F (232°C)
- Packing: PTFE, GRAFOIL or on the option available.



DIMENSIONS FOR REFERENCE ONLY, SUBJECT TO CHANGE.

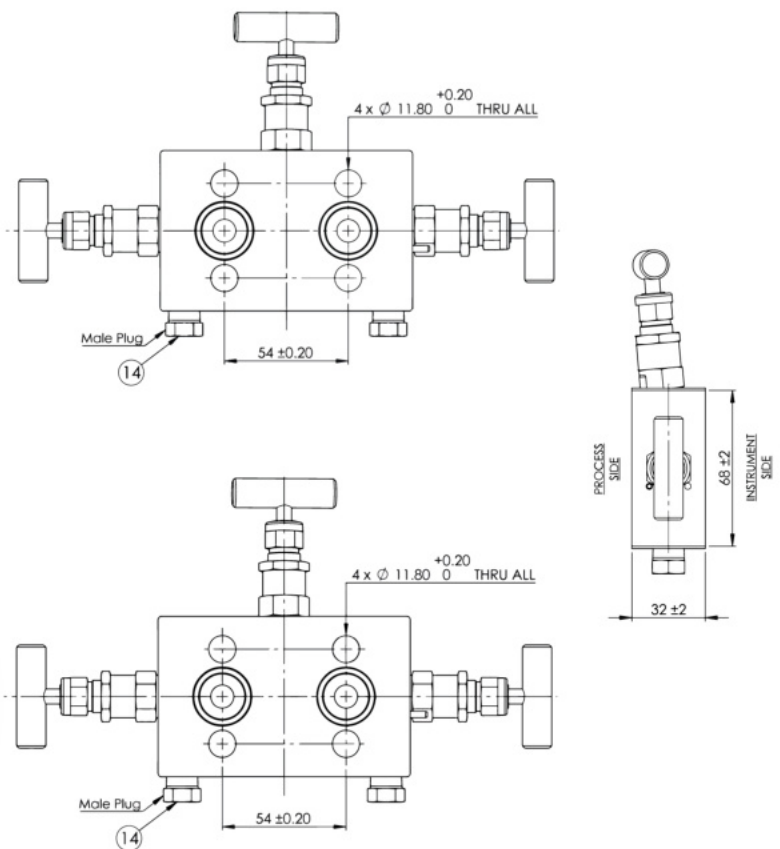
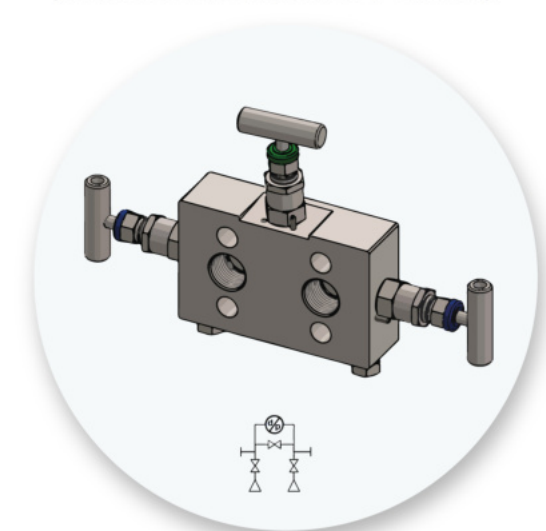
MODEL NO: C3VIM-DM-01A SPECIFICATION

- Valve Type: 3 Valve Instrument Manifold, Direct Mounting Differential Pressure
- Max. Working pressure: 6000 psig
- Available for pressure a to: 10000 psig
- Process Connection: 1/2"NPT(F),
- Instrument Connection: Flanged (as per IEC 61518, Type B),
- Drain connection: 1/4"NPT(F) (with male plug)
- Temperature rating: 450°F (232°C)
- Packing: PTFE, GRAFOIL or on the option available.



MODEL NO: C3VIM-DM-01B SPECIFICATION

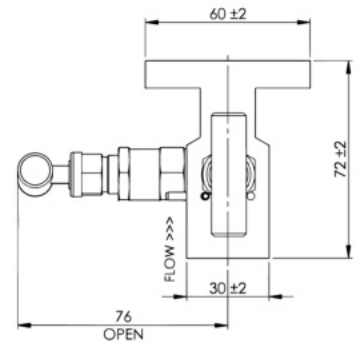
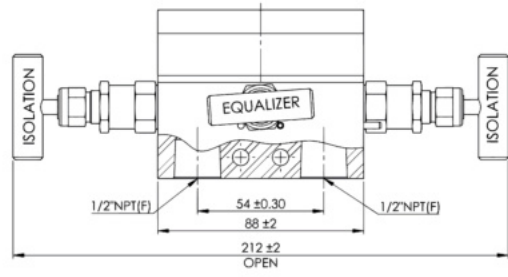
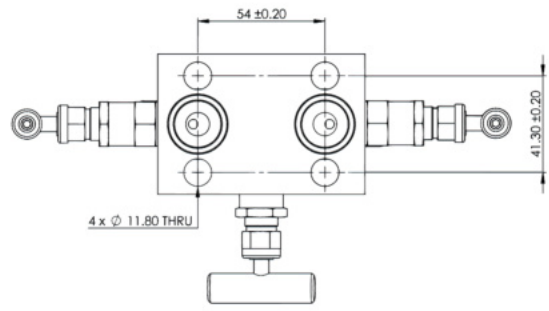
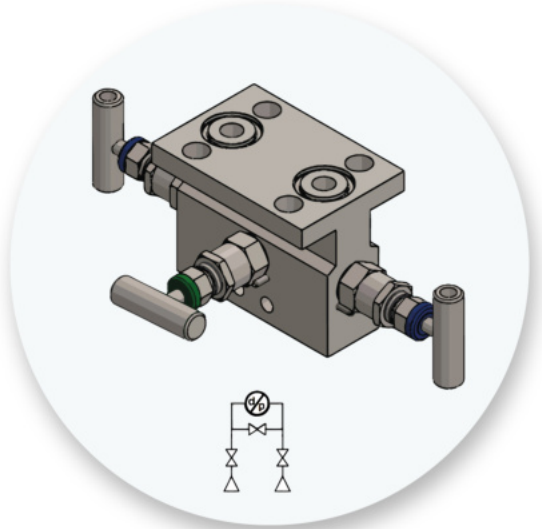
- Valve Type :3 Valve Instrument Manifold, Direct Mounting Differential Pressure,
- Max. Working pressure: 6000 psig
- Available for pressure a to: 10000 psig
- Process Connection: 1/2"NPT(F),
- Instrument Connection: Flange (as per IEC 61518, Type B),
- Drain connection: 1/4"NPT(F) (with male plug)
- Temperature rating: 450°F (232°C)
- Packing: PTFE, GRAFOIL or on the option available.
- Testing : Hydrostatic Pressure:
- Body: 1.5 x W.P @room temp. SEAT: 1.1 x W.P @room temp
- pneumatic Test Pressure: 80 PSIG @ room temp.



DIMENSIONS FOR REFERENCE ONLY, SUBJECT TO CHANGE.

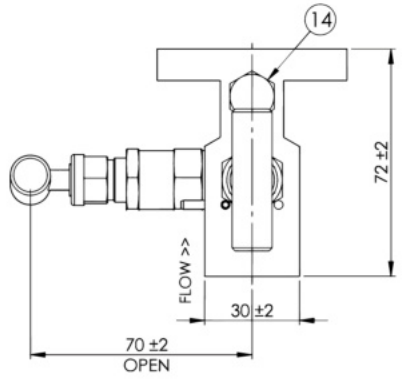
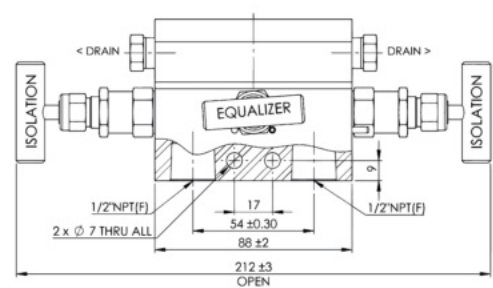
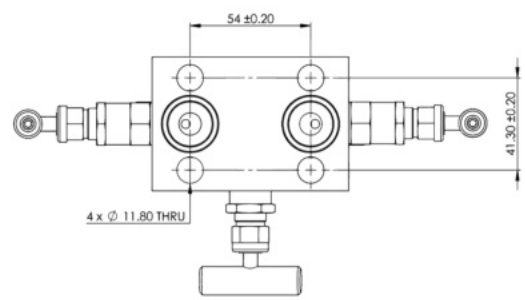
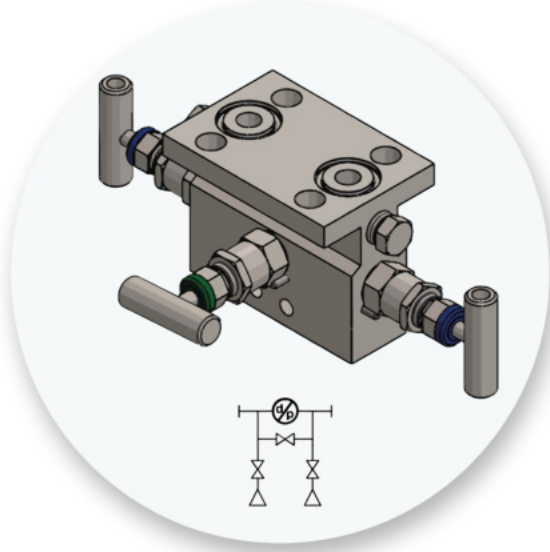
MODEL NO: C3VIM-DM-02 SPECIFICATION

- Valve Type: 3 Valve Instrument Manifold, Direct Mounting Differential Pressure,
- Process Connection: 1/2"NPT(F),
- Instrument Connection: Flange (as per IEC 61518, Type B),
- Drain Connection: 1/2" NPT(F),
- Max. Working pressure: 6000 psig
- Available for pressure a to: 15000 psig
- Temperature rating: 450°F (232°C)
- Packing: PTFE, GRAFOIL or on the option available.



MODEL NO: C3VIM-DM-02A SPECIFICATION

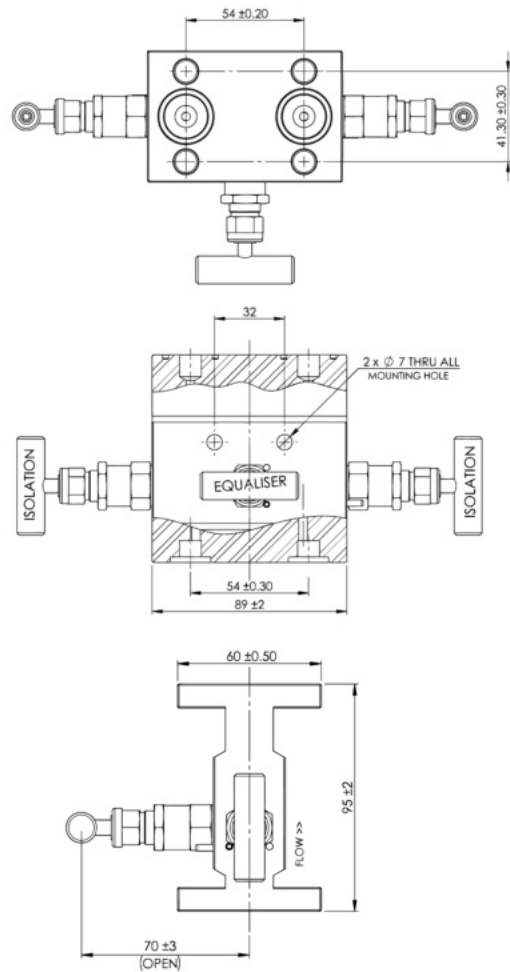
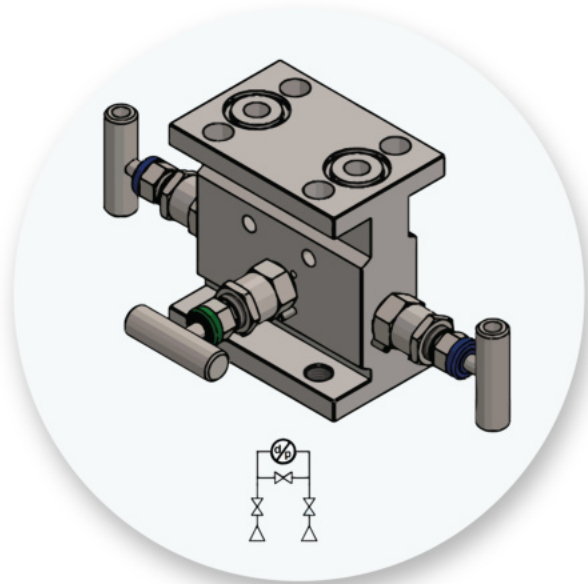
- Valve Type: 3 Valve Instrument Manifold, Direct Mounting Differential Pressure
- Max. Working pressure: 6000 psig
- Available for pressure a to: 10000 psig
- Process Connection: 1/2"NPT(F),
- Instrument Connection: Flange (as per IEC 61518, Type B),
- Drain connection: 1/4"NPT(F) (with male plug)
- Temperature rating: 450°F (232°C)
- Packing: PTFE, GRAFOIL or on the option available.



DIMENSIONS FOR REFERENCE ONLY, SUBJECT TO CHANGE.

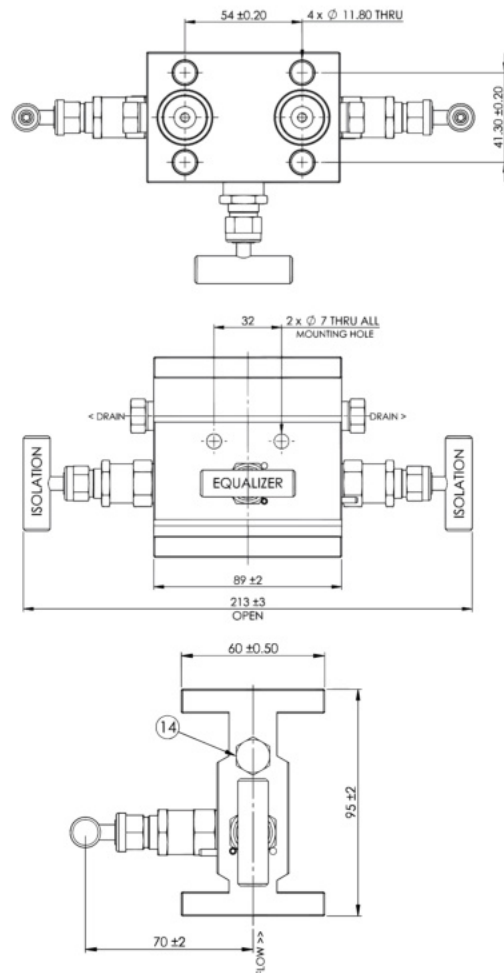
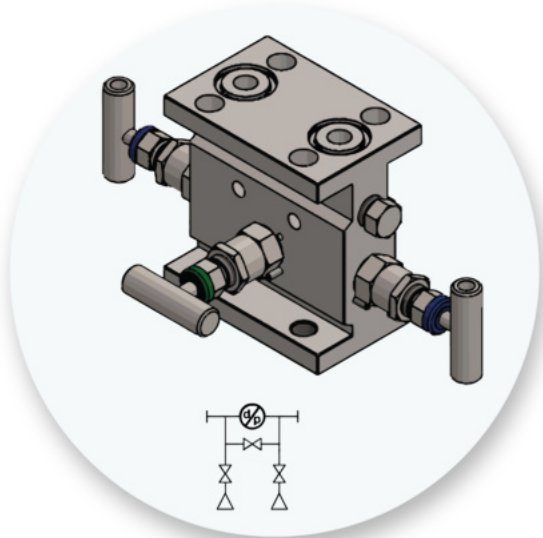
MODEL NO: C3VIM-DM-03 SPECIFICATION

- Valve Type :3 Valve Instrument Manifold
- Direct Mounting Differential Pressure
- Max. Working pressure: 6000 psig
- Available for pressure a to: 10000 psig
- Process Connection : Flange. (ps per IEC 61518)
- Instrument Connection : Flange (ps per IEC 61518, Type-B)
- Temperature rating: 450°F (232°C)
- Packing: PTFE, GRAFOIL or on the option available.



MODEL NO: C3VIM-DM-03A SPECIFICATION

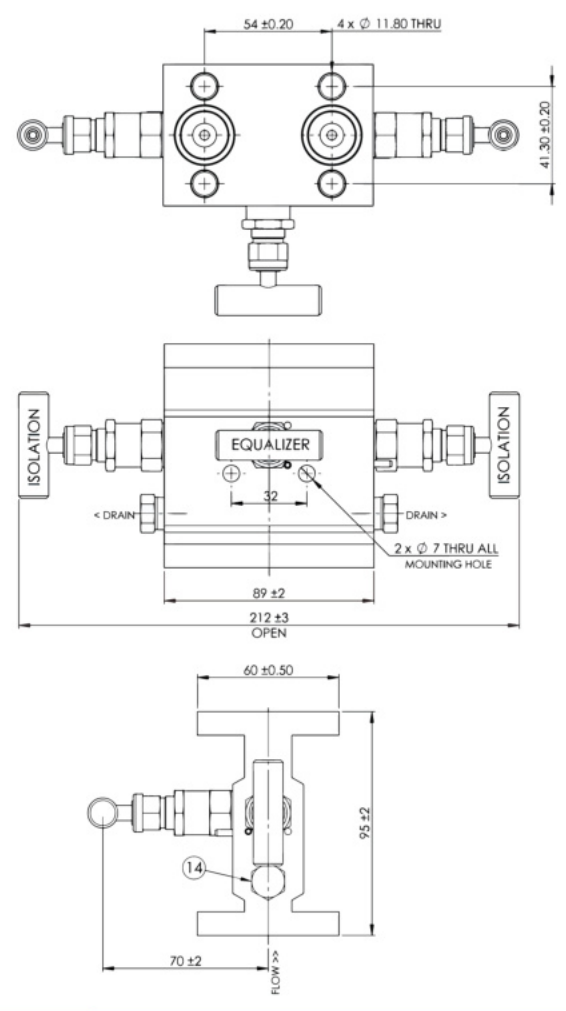
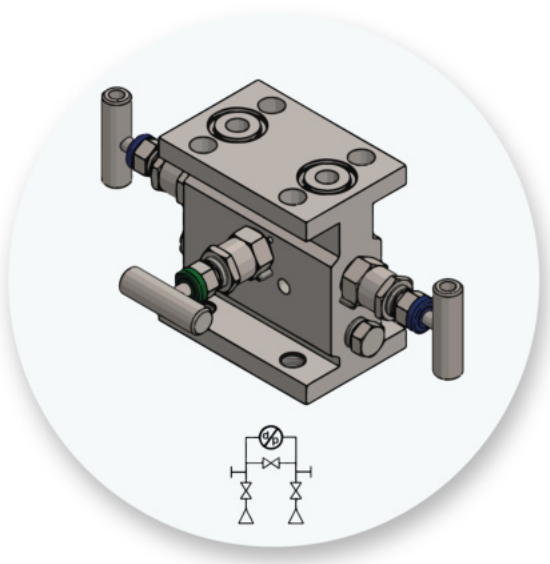
- Valve Type :3 Valve Instrument Manifold,
- Direct Mounting Differential Pressure,
- Max. Working pressure: 6000 psig
- Available for pressure a to: 10000 psig
- Process Connection: Flange as per IEC 61518,
- Instrument Connection: Flange (as per IEC 61518, Type B),
- Drain connection: 1/4"NPT(F) (with SS 316 Male plug)
- Temperature rating: 450°F (232°C)
- Packing: PTFE, GRAFOIL or on the option available.



DIMENSIONS FOR REFERENCE ONLY, SUBJECT TO CHANGE.

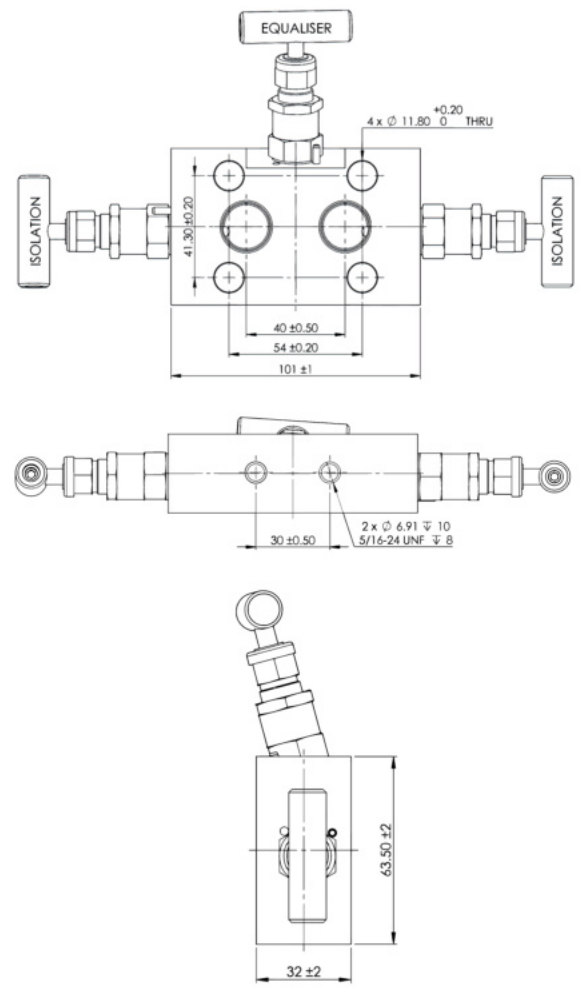
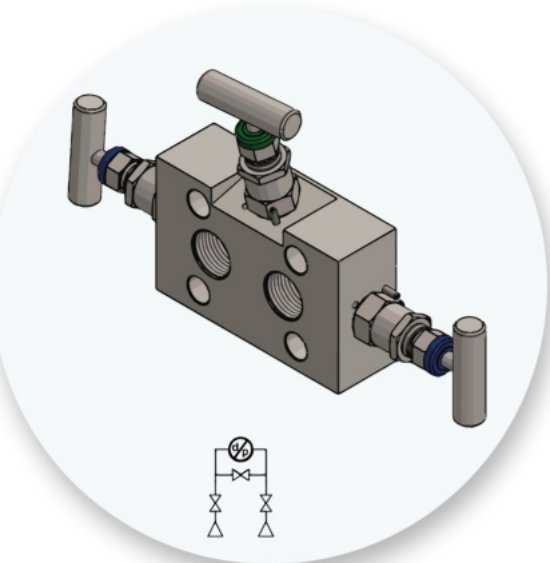
MODEL NO: C3VIM-DM-03B SPECIFICATION

- Valve Type :3 Valve Instrument Manifold, Direct Mounting Differential Pressure,
- Max. Working pressure: 6000 psig
- Available for pressure a to: 10000 psig
- Process Connection: 1/2"NPT(F),
- Instrument Connection: Flange (as per IEC 61518, Type B),
- Drain Connection: 1/2" NPT(F),
- Temperature rating: 450°F (232°C)
- Packing: PTFE, GRAFOIL or on the option available.

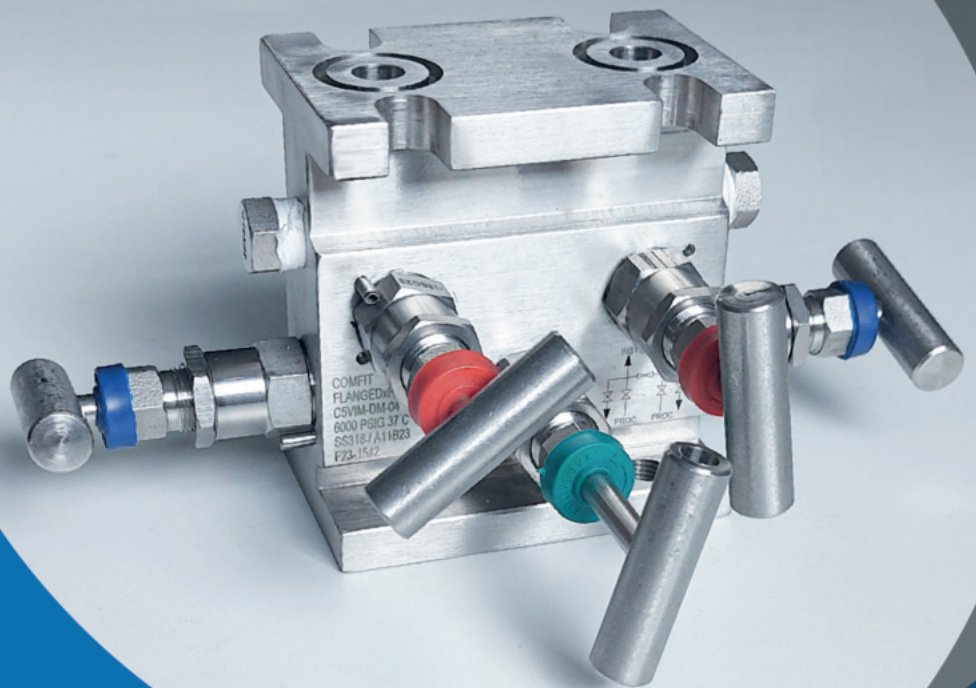


MODEL NO: C3VIM-DM-04 SPECIFICATION

- Valve Type : Direct Mounting Differential Pressure, 3 Valve Instrument Manifold,
- Process Connection : 1/2"NPT(F),
- Instrument Connection : Flange (as per IEC 61518, Type B),
- Drain Connection : 1/2" NPT(F),
- Max. Working pressure: 6000 psig
- Available for pressure a to: 10000 psig
- Temperature rating: 450°F (232°C)
- Packing: PTFE, GRAFOIL or on the option available.



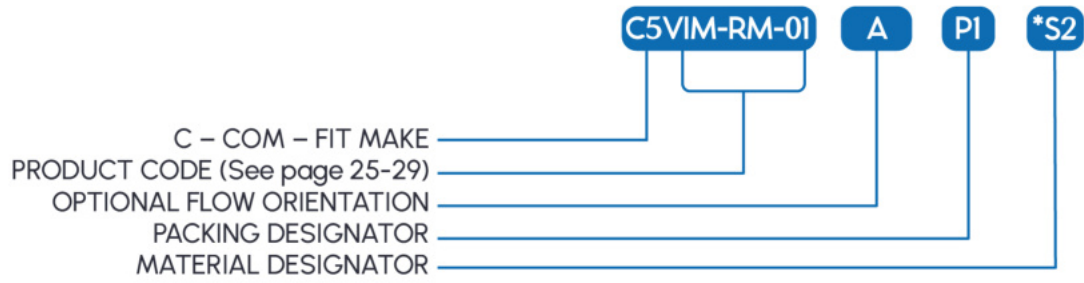
DIMENSIONS FOR REFERENCE ONLY, SUBJECT TO CHANGE.



5 WAY INSTRUMENT MANIFOLDS



ORDERING CODE FOR INSTRUMENT MANIFOLD VALVE



PACKING

PTFE – Temp – 250° F To + 405° F _____ Standard by default
 GRAFOIL – Temp 700°F _____ P1
 PEEK – Temp 572° F _____ P2
 BUNA – N – Temp 35° F to 250° F _____ P3
 VITON – Temp 20° F to + 400° F _____ P4

DESIGNATOR

MATERIAL

SS 316
 STEEL
 SS 316L
 SS 316/SS 316L
 SS 304
 SS 304L
 CARBON STEEL
 P/F 321
 SS 347
 P/F 11
 P/F 22
 P/F 5
 A105N
 P/F 91
 LF2
 ALUMINIUM
 BRASS
 ALLOY 20
 ALLOY C-276
 ALLOY 600
 ALLOY 825
 ALLOY 625
 TITANIUM
 MODEL 400
 DUPLEX-F60 / S32205
 DUPLEX-F51 / S31803
 DUPLEX-F53 / S32750
 DUPLEX-F55 / S32760
 NACE MR-0175
 NACE MR-0103

DESIGNATOR

Standard by default
 S
 S2
 SIS2
 S3
 S4
 S5
 S6
 S7
 S8
 S9
 S10
 S11
 S12
 LF2
 AL
 B
 C20
 HC
 INC
 INC 1
 INC 2
 TI
 M
 D
 D1
 D3
 D5
 NM
 NM1

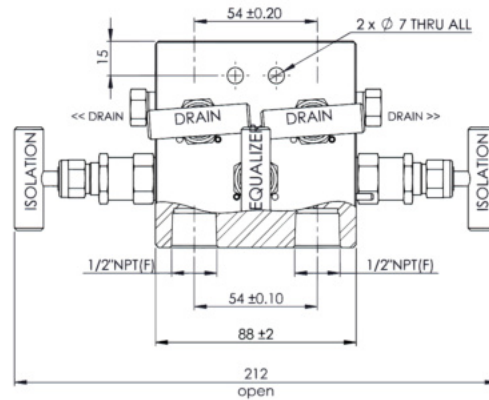
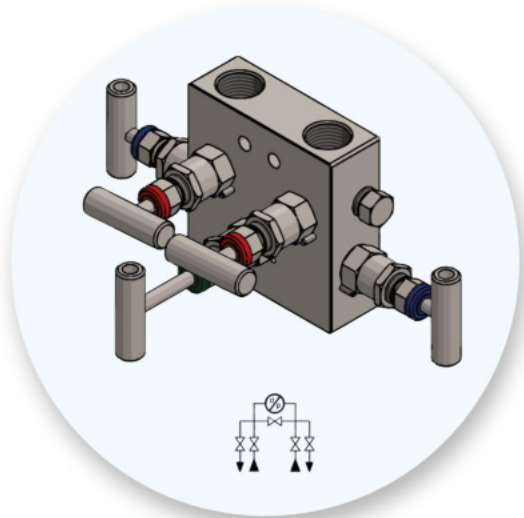
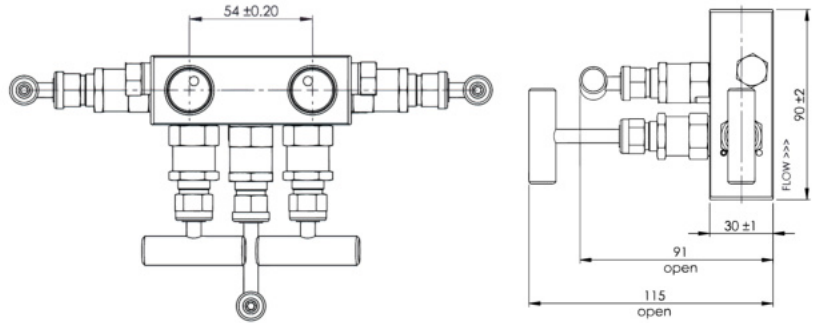
Note: * No need to designate "S1" for SS 316 Material

FIVE VALVE INSTRUMENT MANIFOLDS

Remote / Direct Mounted Differential Pressure Manifolds
 Low Pressure 6000 Psi (414 Barg)
 High Pressure Up To 10.000 Psi Available On Request

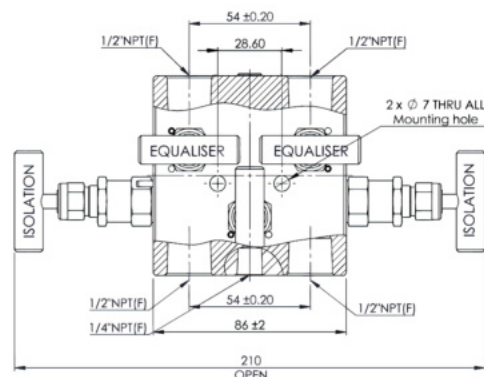
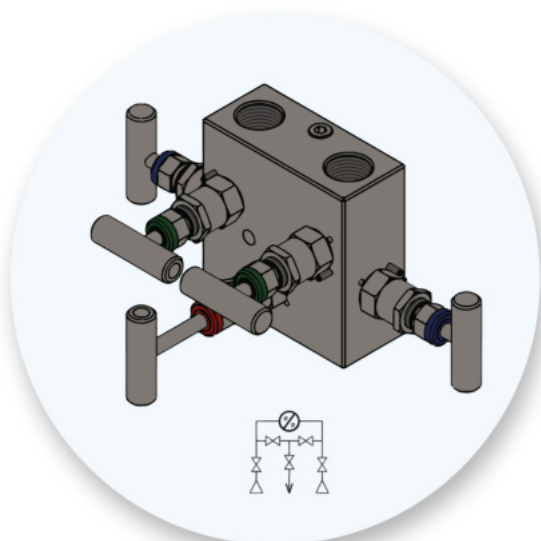
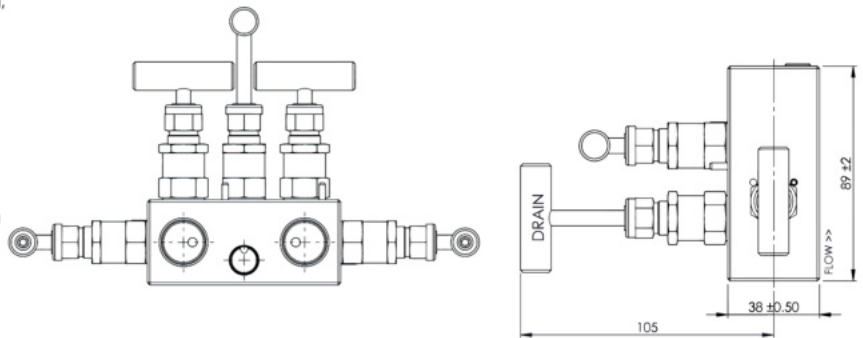
MODEL NO: C5VIM-RM-01 SPECIFICATION

- Valve Type : 5 Valve Instrument Manifold Remote Mounting Differential Pressure
- Process Connection : 1/2"NPT(F),
- Instrument Connection : 1/2"NPT(F),
- Drain Connection : 1/4" NPT(F),
- Max. Working pressure: 6000 psig
- Available for pressure a to: 10000 psig
- Temperature rating: 450°F (232°C)
- Packing: PTFE, GRAFOIL or on the option available.



MODEL NO: C5VIM-RM-01A SPECIFICATION

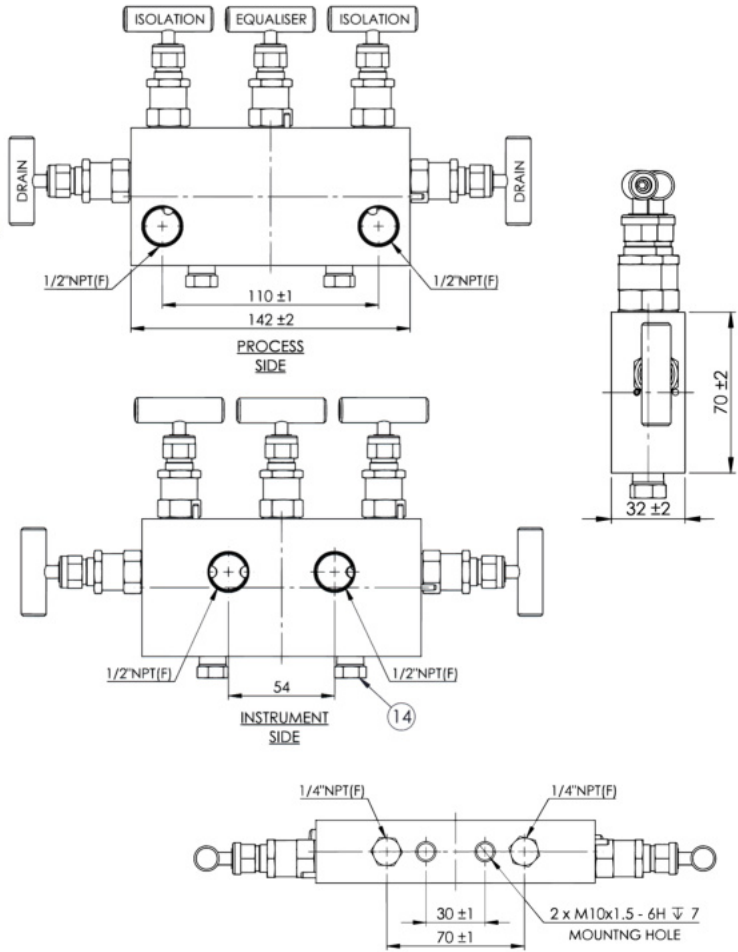
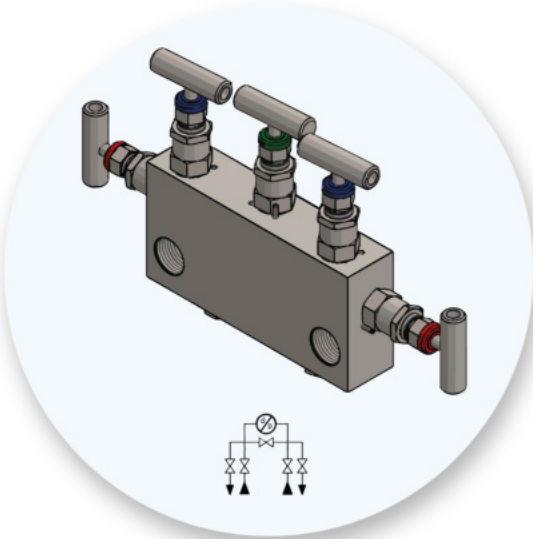
- Valve Type :5 Valve Instrument Manifold, Remote Mounting Static Pressure,
- Max. Working pressure: 6000 psig
- Available for pressure a to: 10000 psig.
- Process Connection : 1/2"NPT(F),
- Instrument Connection : 1/2"NPT(F),
- Drain Connection : 1/4" NPT(F),
- Body material : SS 316
- Temperature rating: 450°F (232°C)
- Packing: PTFE, GRAFOIL or on the option available.



DIMENSIONS FOR REFERENCE ONLY, SUBJECT TO CHANGE.

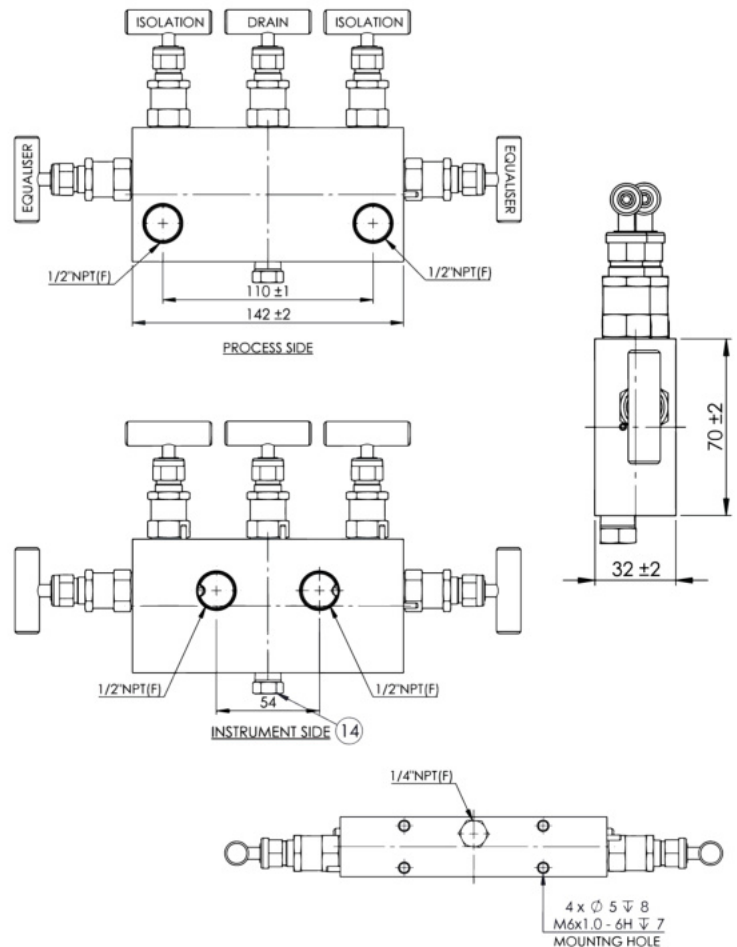
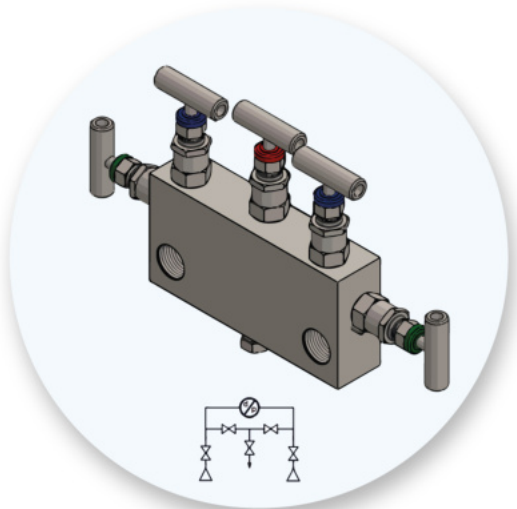
MODEL NO: C5VIM-RM-02 SPECIFICATION

- Valve Type : 5 Valve Instrument Manifold
- Remote Mounting Differential Pressure
- Process Connection : 1/2"NPT(F),
- Instrument Connection : 1/2"NPT(F),
- Drain Connection : 1/4" NPT(F), With male plug
- Max. Working pressure: 6000 psig
- Available for pressure a to: 10000 psig
- Temperature rating: 450°F (232°C)
- Packing: PTFE, GRAFOIL or on the option available.



MODEL NO: C5VIM-RM-02A SPECIFICATION

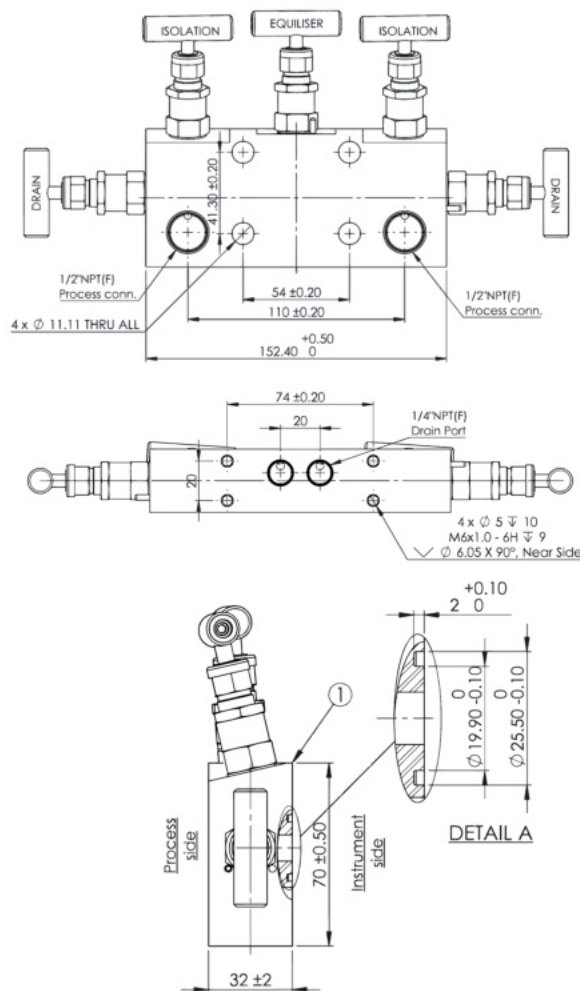
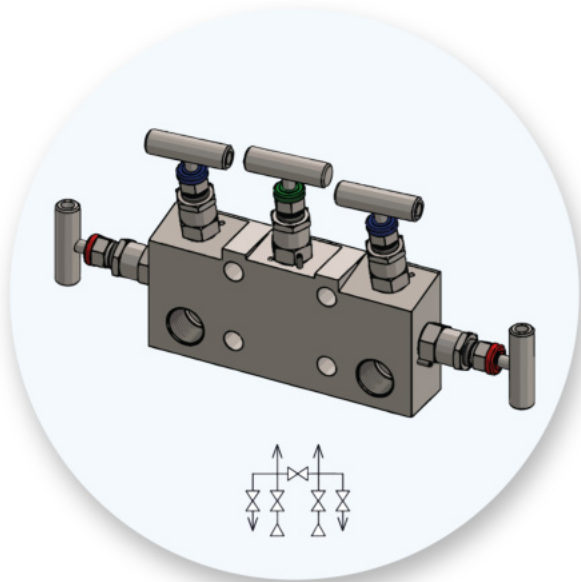
- Valve Type : 5 Valve Instrument Manifold
- Remote Mounting Differential Pressure
- Process Connection : 1/2"NPT(F),
- Instrument Connection : 1/2"NPT(F),
- Drain Connection : 1/4" NPT(F), With male plug
- Max. Working pressure: 6000 psig
- Available for pressure a to: 10000 psig
- Temperature rating: 450°F (232°C)
- Packing: PTFE, GRAFOIL or on the option available.



DIMENSIONS FOR REFERENCE ONLY, SUBJECT TO CHANGE.

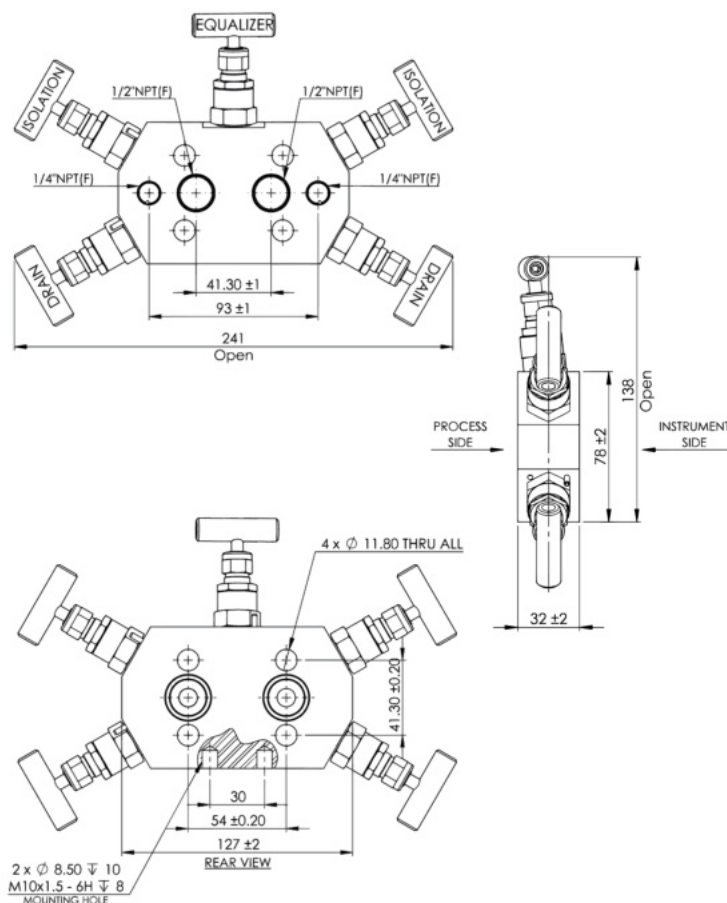
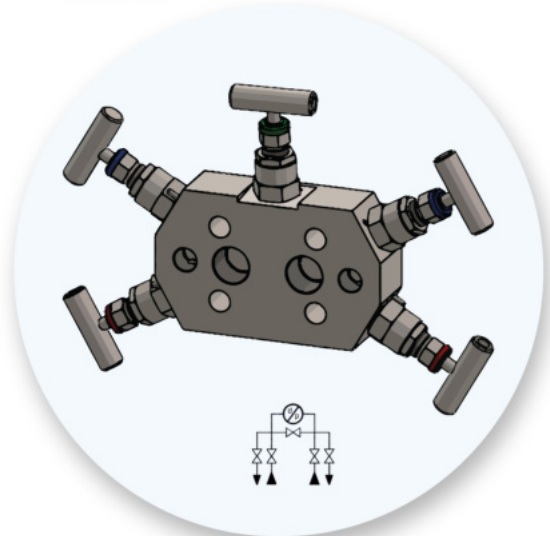
MODEL NO: C5VIM-DM-01 SPECIFICATION

- Valve Type :5 Valve Instrument Manifold Direct Mounting Differential Pressure
- Max. Working pressure: 6000 psig
- Available for pressure a to: 15000 psig
- Process Connection: 1/2"NPT(F)
- Instrument Connection: Flange (AS per IEC 61518, type-B)
- Temperature rating: 450°F (232°C)
- Packing: PTFE, GRAFOIL or on the option available.



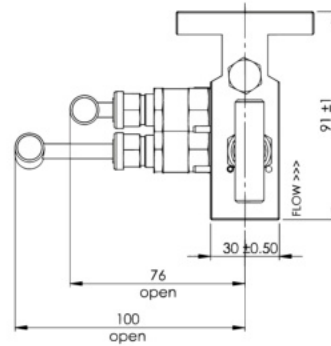
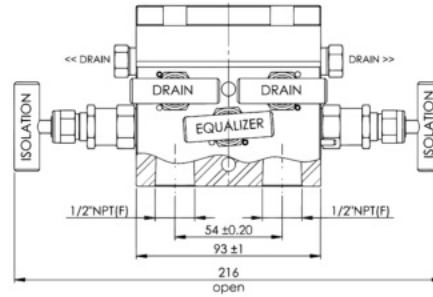
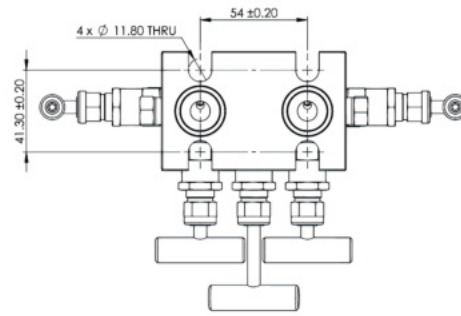
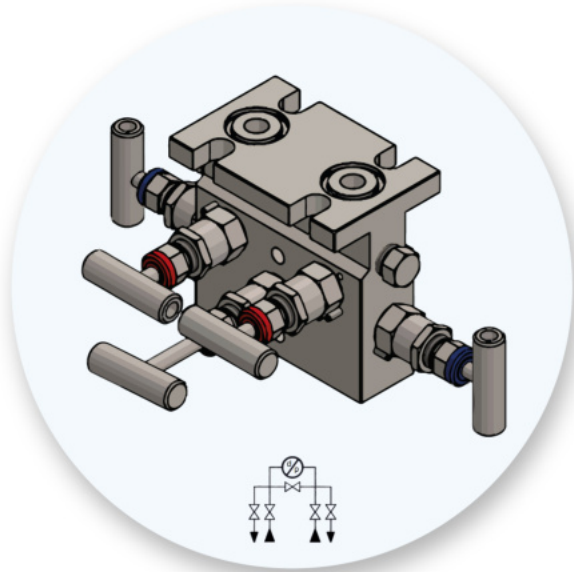
MODEL NO: C5VIM-DM-02 SPECIFICATION

- Valve Type :5 Valve Instrument Manifold Direct Mounting Differential Pressure
- Max. Working pressure: 6000 psig
- Available for pressure a to: 15000 psig
- Process Connection: 1/2"NPT(F),
- Instrument Connection: Flanged (As per IEC 61518, Type-B),
- Drain Connection: 1/4" NPT(F),
- Body Material: SS 316
- Trim Material: SS 316
- Temperature rating: 450°F (232°C)
- Packing: PTFE, GRAFOIL or on the option available.



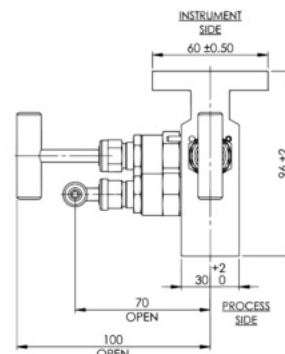
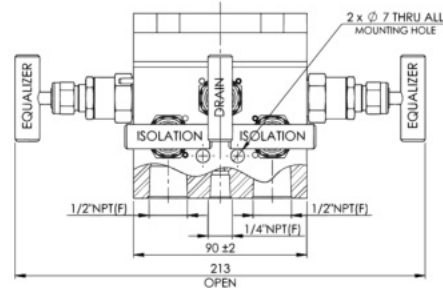
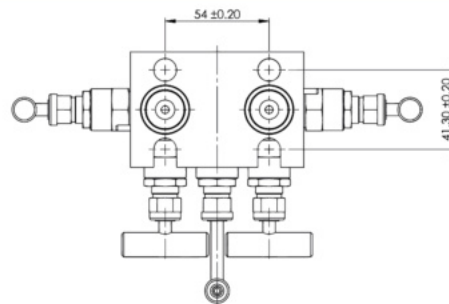
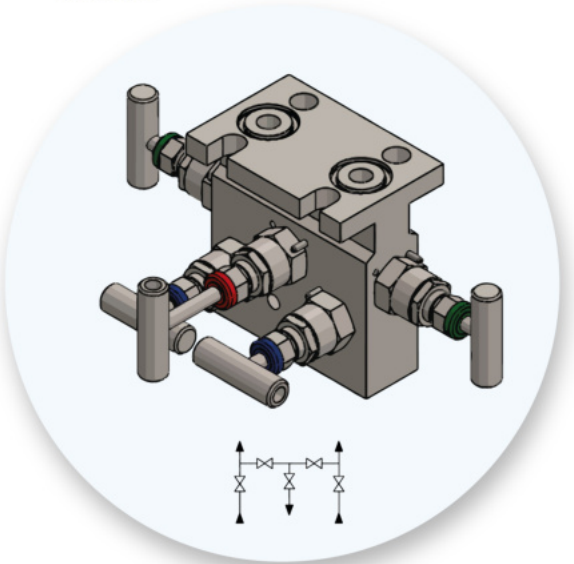
MODEL NO: C5VIM-DM-03 SPECIFICATION

- Valve Type: 5 Valve Instrument Manifold Direct Mounting Differential Pressure
- Process Connection: 1/2"NPT(F)
- Instrument Connection: Flange (As per IEC 61518, Type-B)
- Drain Connection: 1/4" NPT(F)
- Max. Working pressure: 6000 psig
- Available for pressure a to: 10000 psig
- Temperature rating: 450°F (232°C)
- Packing: PTFE, GRAFOIL or on the option available.



MODEL NO: C5VIM-DM-03A SPECIFICATION

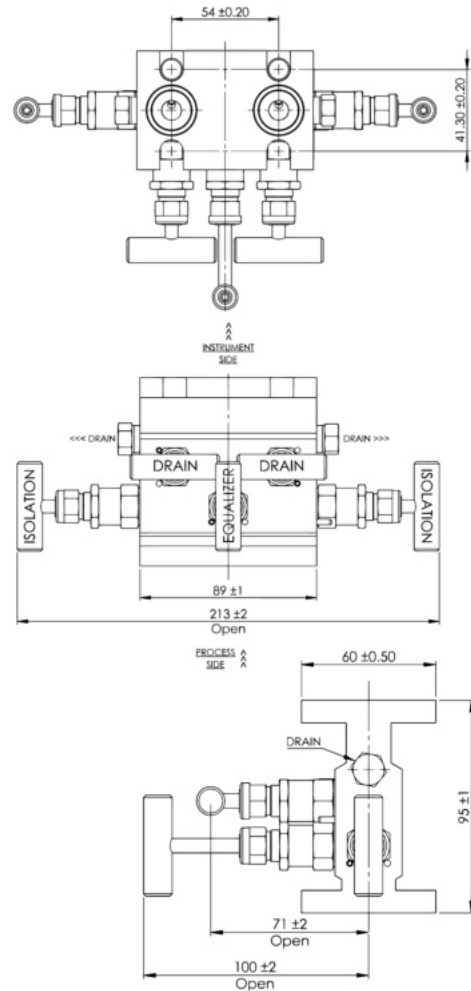
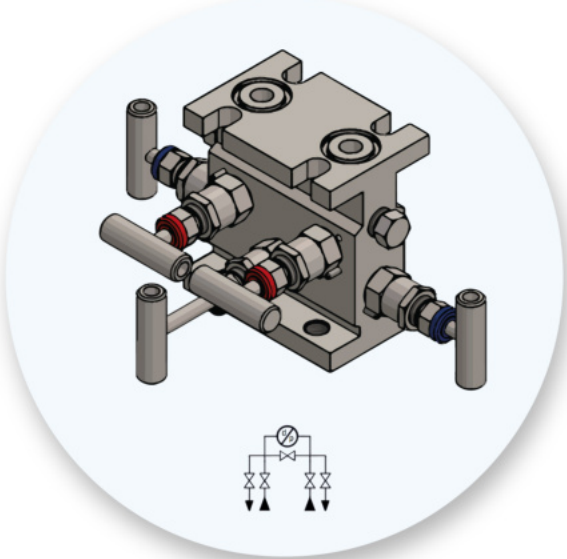
- Valve Type: 5 Valve Instrument Manifold Direct Mounting Differential Pressure
- Max. Working pressure: 6000 psig
- Available for pressure a to: 10000 psig
- Process Connection: 1/2"NPT(F)
- Instrument Connection: Flange (As per IEC 61518, Type-B)
- Drain Connection: 1/4" NPT(F)
- Body Material: SS 316
- Trim Material: SS 316
- Temperature rating: 450°F (232°C)
- Packing: PTFE, GRAFOIL or on the option available.



DIMENSIONS FOR REFERENCE ONLY, SUBJECT TO CHANGE.

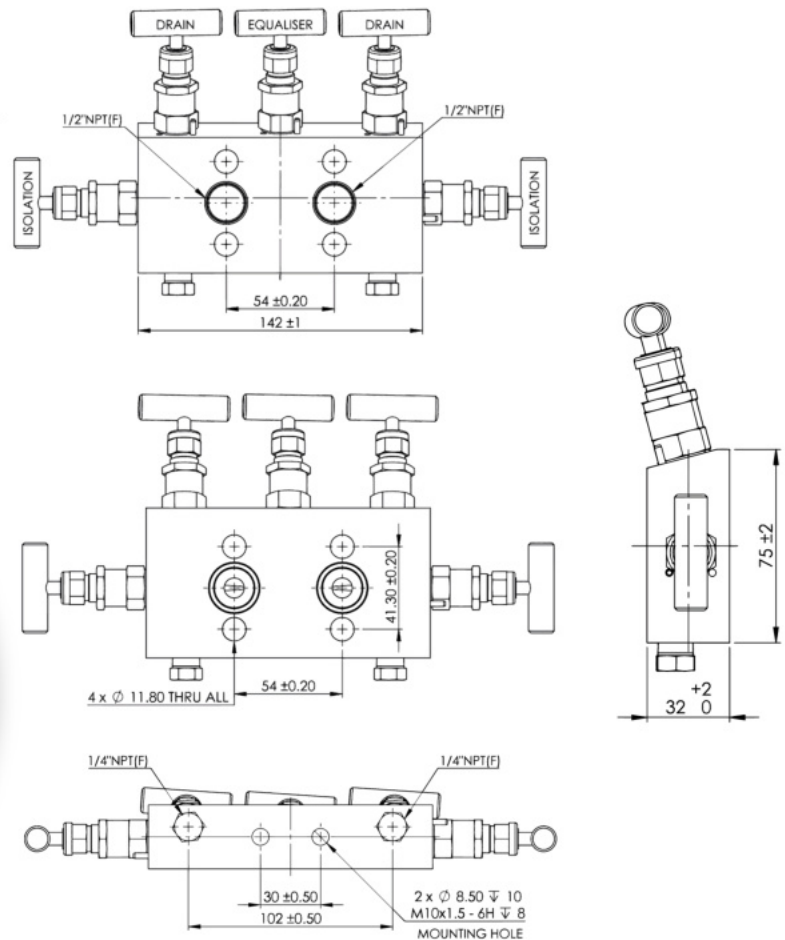
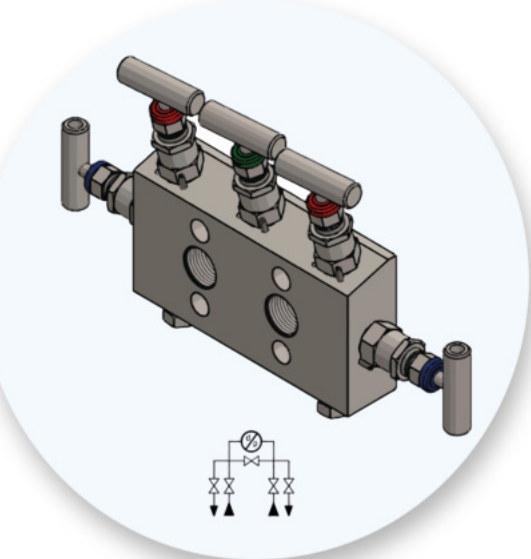
MODEL NO: C5VIM DM-04 SPECIFICATION

- Valve Type : 5 Valve Instrument Manifold Direct Mounting Differential Pressure
- Max. Working pressure: 6000 psig
- Available for pressure a to: 10000 psig
- Process Connection: Flanged (AS PER IEC 61518)
- Instrument Connection: Flange (AS PER IEC 61518, TYPE-B),
- Drain Connection: 1/4" NPT(F) x 2 Nos.
- Body material: SS 316
- Trim material: SS 316
- Temperature rating: 450°F (232°C)
- Packing: PTFE, GRAFOIL or on the option available.



MODEL NO: C5VIM-DM-05 SPECIFICATION

- Valve Type: 5 Valve Instrument Manifold Direct Mounting Differential Pressure
- Max. Working pressure: 6000 psig
- Available for pressure a to: 10000 psig
- Process Connection: 1/2"NPT(F)
- Instrument Connection: Flange (as per IEC 61518, type-B)
- Drain connection: 1/4"NPT(F), With male plug
- Temperature rating: 450°F (232°C)
- Packing: PTFE, GRAFOIL or on the option available.



DIMENSIONS FOR REFERENCE ONLY, SUBJECT TO CHANGE.



COMFIT - USA

Contact Us



(+1) 713 731 5057 - Main



(+1) 786 538 0405 - Sales



12510 W Airport Blvd. Unit
B08A, Sugar Land, TX 77478



Sales@comfit-usa.com

