

INSTRUMENTATION
VALVES



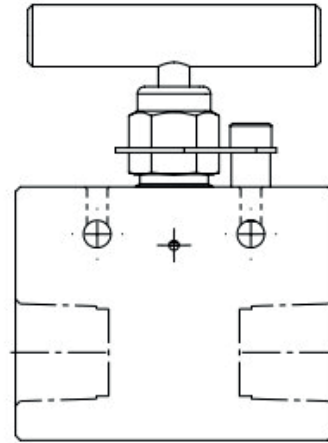
COMFIT-USA

A DIVISION OF  **LamarUSA**
INSTRUMENTATION & CONTROL

www.comfit-usa.com

Needle Valves

HIGH PRESSURE NEEDLE VALVE - 15000 PSI PRODUCT RANGE: CHPNV



HIGH PRESSURE NEEDLE VALVE - 15000 PSI			
2-WAY STRAIGHT FEMALE NPT			
VALVE CONNECTION		PRODUCT CODE	ORIFICE mm
INLET	OUTLET		
1/4" NPT (F)		4NF-CHPNV-15K	5.1
3/8" NPT (F)		6NF-CHPNV-15K	6.4
1/2" NPT (F)		8NF-CHPNV-15K-OR6.4	6.4

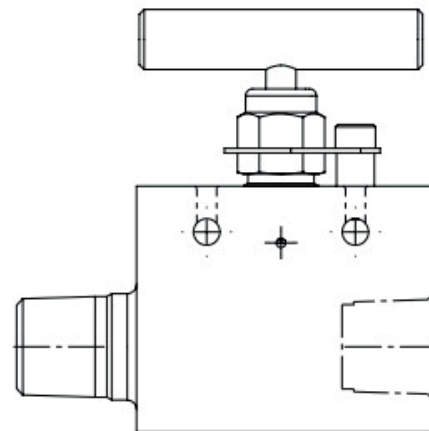


FEATURES:

- High temperature Packing option available.
- Two piece knuckle joint and non rotating lower stem.
- Joint is located above the packing.
- Hard seat - with non-rotating stem tip.
- Dust Cap on bonnet pusher protects stem threads from external contamination.
- Packing and sealing are leak tight for easy operation.
- Low torque operating T bar handle.
- Externally adjustable gland.
- Bonnet lock plate fitted as per the design requirement

SPECIFICATION:

- Working Pressure : 15000 psig
- Temperature Range : PTFE Up to 450°F (Up to 232°C)
- Grafoil 700°F (Up to 371°C)
- End connection Sizes: 1/4", 3/8" and 1/2"
- End connection Type : NPT , Cone and Thread.
- Flow Patterns : 2-way
- Materials : Material - SS 316, SS 304, C.S., F11, Hastelloy, Monel, Inconel
- Valve can be supplied to meet the current revision of NACE MR-01-75 (Sour Gas service)
- Design Standards : ASME B16.34, ANSI B1.20.1
- Lubrication - Dye molly sulphide



HIGH PRESSURE NEEDLE VALVE - 15000 PSI			
2-WAY STRAIGHT MALE TO FEMALE NPT			
VALVE CONNECTION		PRODUCT CODE	ORIFICE mm
INLET	OUTLET		
1/4" NPT (M)	1/4" NPT (F)	4NM-CHPNV-4NF-15K	5.1
3/8" NPT (M)	3/8" NPT (F)	6NM-CHPNV-6NF-15K	6.4
1/2" NPT (M)	1/2" NPT (F)	8NF-CHPNV-15K-OR6.4	6.4



☎ **(+1) 713 731 5057 - Main**

✉ **sales@comfit-usa.com**

☎ **(+1) 786 538 0405 - Sales**

📍 **3105 NW 107th Avenue, Suite 400
Doral, FL 33172**

Some of our main customers worldwide:

- *Ecopetrol*
- *Petro Ecuador*
- *Tecpetrol*
- *Geopark*
- *Sertecpet*
- *TechnipFMC*
- *Tecnicas Reunidas*
- *Yokogawa*
- *Honeywell*
- *Pemex*
- *Maire Tecnimont*
- *Halliburton*
- *Perenco*
- *Gran Tierra Energy*
- *ABB*