

**INSTRUMENTATION**  
**VALVES**



**COMFIT-USA**

A DIVISION OF  **LamarUSA**  
INSTRUMENTATION & CONTROL

*[www.comfit-usa.com](http://www.comfit-usa.com)*

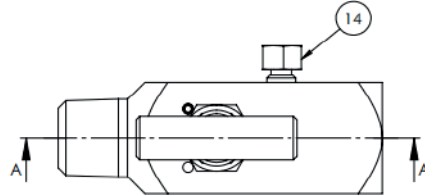
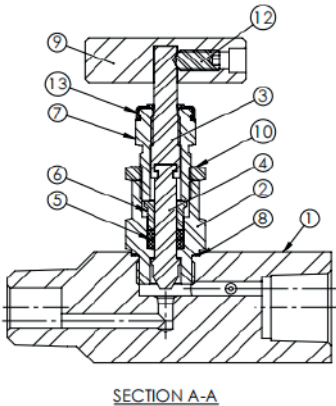
# GAUGE VALVES

## FEATURES:

- Size: 1/2" & 3/4"
- Standard Seat Diameter: 4 mm
- End Connections: NPT, BSPT
- Working Pressure: 6000 psig and 10000 psig
- Temperature Rating:
  - Up to 450°F (232°C) with PTFE packing
  - Up to 752°F (400°C) with Grafoil packing
- Materials: SS 316, SS 304, CS, F11, Hastelloy, Monel, Inconel
- Alternative Seat Options: Available upon request
- Compliance: Can be provided to meet the latest revision of NACE MR-01-75 (SOUR GAS SERVICE)
- Packing: PTFE, Grafoil
- Testing: 100% factory tested at 1000 psig
- Lubrication: Dye Molly Sulfide

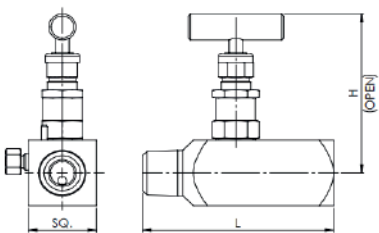
## SPECIFICATION:

- Bar stock Gauge valve design with safety back seating in fully open condition.
- High temperature packing option available.
- Two-piece knuckle joint ensures a non-rotating needle feature. The joint is positioned above the packing, safeguarding it from system media.
- Stem threads positioned above the packing, ensuring protection from system media
- Regulating Tip and soft seat available.
- Low torque operating T-bar handle, anti-tamper, and lockable handle facility available.
- Externally adjustable gland.
- Bonnet lock pin as per the design standard for 6000 psig and for high pressure, bonnet lock plate as per the design required.
- Low Emissions certification available on request.

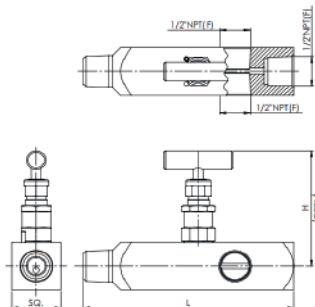


SR.NO.	DESCRIPTION	QTY	DESCRIPTION
1	BODY	1	SS 316
2	BONNET	1	SS 316
3	UPPER STEM	1	SS 316
4	LOWER STEM	1	SS 316
5	PACKING	2	PTFE
6	GLAND	1	SS 316
7	BONNET PUSHER	1	SS 304
8	BONNET SEAL	1	SS 316
9	HANDLE	1	SS 304
10	CHECK NUT	1	SS 304
11	STOPPER PIN	1	SS
12	GRUB SCREW	1	SS
13	DUST CAP	1	PLASTIC
14	BLEED PLUG	1	SS 316

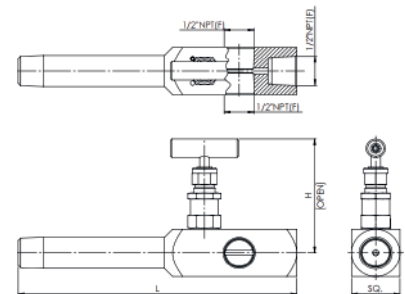
GAUGE VALVE WITH BLEED PLUG  
PRODUCT RANGE: CGVBP



MULTIPOINT GAUGE VALVE  
PRODUCT RANGE: CGVMP



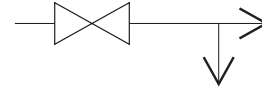
MULTIPOINT GAUGE VALVE WITH LAGGING EXTENSION  
PRODUCT RANGE: CGV MPL



# Gauge Valves

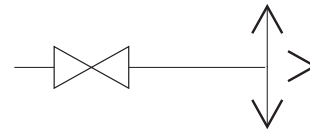


**GAUGE VALVE WITH BLEED PLUG**  
**PRODUCT RANGE: CGVBP**



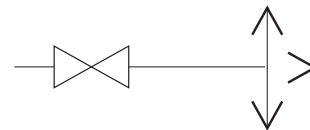
GAUGE VALVE WITH BLEED PLUG						
VALVE CONNECTION		PRODUCT CODE	ORIFICE	HEX.	L	H
INLET	OUTLET					
1/2" NPT (M)	1/2" NPT (F)	8NM - CGVBP - 8NF	0.157	1.26	3.54	3.06
3/4" NPT (M)	1/2" NPT (F)	12NM - CGVBP - 8NF				

**MULTI-PORT GAUGE VALVE**  
**PRODUCT RANGE: CGVMP**



MULTI-PORT GAUGE VALVE						
VALVE CONNECTION		PRODUCT CODE	ORIFICE	HEX.	L	H
INLET	OUTLET					
1/2" NPT (M)	1/2" NPT (F)X3	8NM - CGVMP - 8NF	0.157	1.26	5.40	3.06
3/4" NPT (M)	1/2" NPT (F)X3	12NM - CGVMP - 8NF				

**MULTI-PORT GAUGE VALVE WITH LAGGING EXTENSION**  
**PRODUCT RANGE: CGVMPL**



MULTI-PORT GAUGE VALVE WITH LAGGING EXTENSION						
VALVE CONNECTION		PRODUCT CODE	ORIFICE	HEX.	L	H
INLET	OUTLET					
1/2" NPT (M)	1/2" NPT (F)X3	8NM - CGVMPL - 8NF	0.157	1.26	7.24	3.06
3/4" NPT (M)	1/2" NPT (F)X3	12NM - CGVMPL - 8NF				



☎ **(+1) 713 731 5057 - Main**

✉ **[sales@comfit-usa.com](mailto:sales@comfit-usa.com)**

☎ **(+1) 786 538 0405 - Sales**

📍 **3105 NW 107th Avenue, Suite 400  
Doral, FL 33172**

***Some of our main customers worldwide:***

- ***Ecopetrol***      - ***Petro Ecuador***      - ***Tecpetrol***      - ***Geopark***      - ***Sertecpet***
- ***TechnipFMC***      - ***Tecnicas Reunidas***      - ***Yokogawa***      - ***Honeywell***      - ***Pemex***
- ***Maire Tecnimont***      - ***Halliburton***      - ***Perenco***      - ***Gran Tierra Energy***      - ***ABB***