

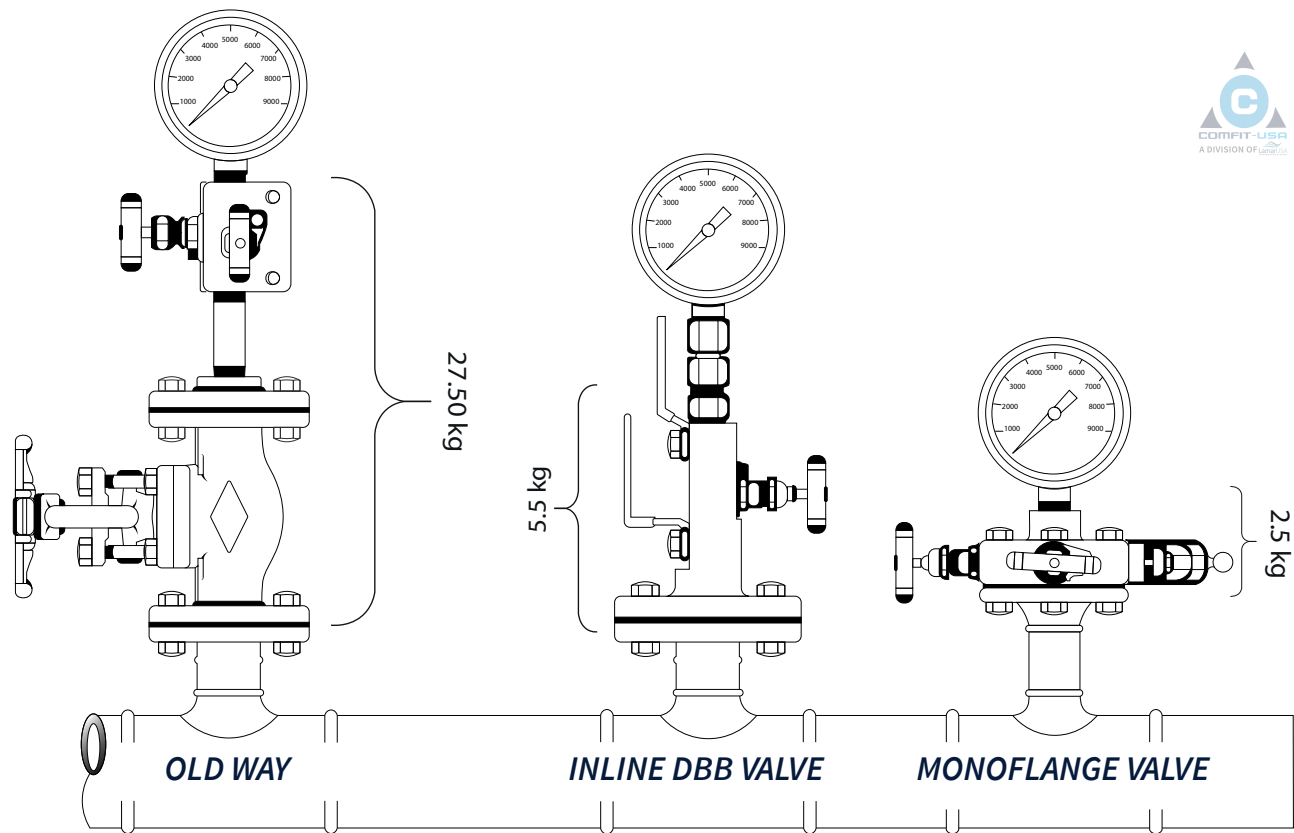
INSTRUMENTATION
VALVES



COMFIT-USA

A DIVISION OF  **LamarUSA**
INSTRUMENTATION & CONTROL

www.comfit-usa.com



Inline Double Block and Bleed Valve (DBB)

FEATURES:

- Design as per ISO 17292, and API 608
- Wall thickness of valve - ANSI/ASME B16.34
- Flange Dimensions - ANSI/ASME B16.5
- NPT Threads - ANSI B1.20.1
- Fire Safe Test - API 607/BS 6755 Part 2/ API 6FA
- Design And NDT - ASME VIII Div 1

QUALITY ASSURANCE

- All quality assurance performance shall be as per ISO 9001.

ENHANCED SEAT PERFORMANCE:

- Full encapsulated Seats provides better process compatibility and avoids seat distortion
- soft seated or metal seated

INSPECTION & TESTINGS:

- All valves are tested as per API 598.
- Complies With NACE MR 01-75

APPLICATIONS:

- Double block and bleed instruments isolation.
- Direct and remote mounting of instruments.
- Chemical injection connection.
- Sampling.
- Double block and bleed for piping isolation
- Single block and bleed available

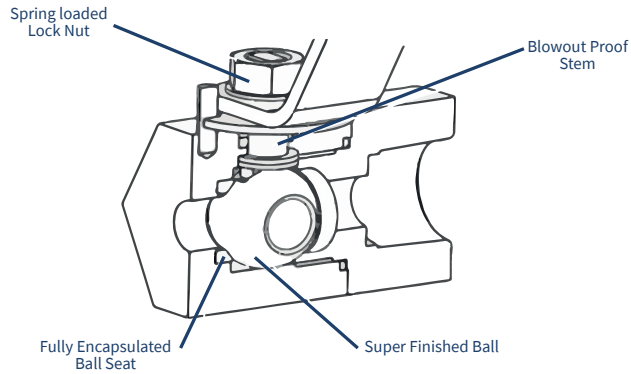


ADVANTAGES:

- Compact & sturdy construction.
- No mounting stanchions needed.
- Reduce installation work by 70%.
- Faster removal and re-installation
- Reduce leak path.

Double Block and Bleed (DBB)

Soft Seated Ball Valve



FEATURES:

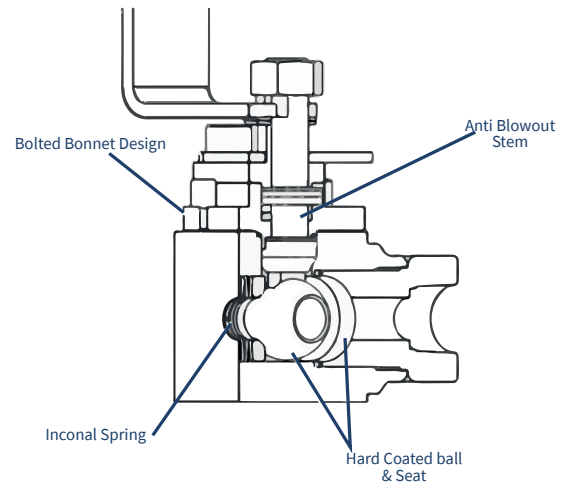
- Blow-out resistant stem
- Positive handle stops-Straight to Flow path-Fully encapsulated ball seat for high pressure
- Superior ball finish for low operation torque.
- Stem lock with disc spring for anti vibration
- Bore diameter 10 mm for instrumentation version
Other bore sizes available for piping applications.
- Fire safe as per API 607, BS 6755 part 2, API 6FA
- Anti-static design as standard-Pressure rating up to 6000 PSIG
- Optional NACE compliance & Lockable handle.

FEATURES:

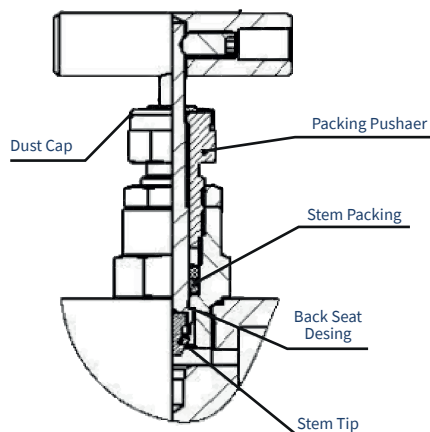
- Seat and Ball surface coated with carbide compounds
- Blow out proof Stem
- Standard bore size 10 mm for instrumentation version , Other bore sizes available for piping applications
- Oval handle provided with locking option
- Seat leakage : ANSI/ FCI 70-2 class V
- Inconel springs for low operating torque and tight shut off



Metal Seated ball Valve



Screwed Bonnet Needle

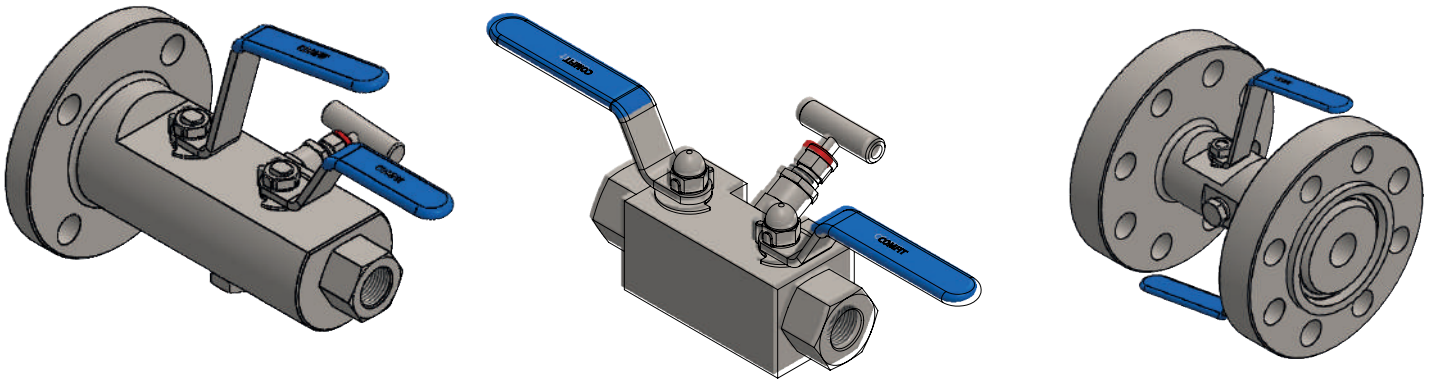


FEATURES:

- Packing below threads protects stem threads from process media.
- Stem packing available in Graphoil and PTFE based on process pressure and temperature.
- Back seat design provides stem sealing and prevents stem blow-out.
- Non-rotating and self centering stem tip provides tight shut-off.
- Pressure rating 6000 psig.
- Optional- Anti temper bonnet with T- bar key.

Double Block and Bleed (DBB)

CONNECTION OPTIONS:

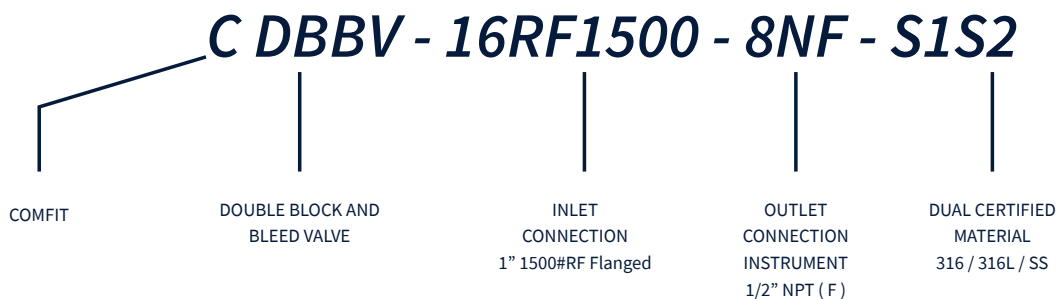


Double Block & Bleed- Soft Seated (CDBBV)

- Flange x NPT threaded, Flange x Flange or NPT threaded x NPT threaded
- Other configuration and connections available
- Primary Isolation - Ball Valve
- Secondary Isolation - Ball Valve
- Bleed Screwed Bonnet Needle or OS&Y type needle valve
- Sizes up to 2" Flanged for instrumentation isolation, up to 8" for piping isolation
- NPT threaded connection 1/2" or 3/4"



TYPICAL MODEL CONFIGURATION





☎ **(+1) 713 731 5057 - Main**

✉ **sales@comfit-usa.com**

☎ **(+1) 786 538 0405 - Sales**

📍 **3105 NW 107th Avenue, Suite 400
Doral, FL 33172**

Some of our main customers worldwide:

- *Ecopetrol*
- *Petro Ecuador*
- *Tecpetrol*
- *Geopark*
- *Sertecpet*
- *TechnipFMC*
- *Tecnicas Reunidas*
- *Yokogawa*
- *Honeywell*
- *Pemex*
- *Maire Tecnimont*
- *Halliburton*
- *Perenco*
- *Gran Tierra Energy*
- *ABB*