

**INSTRUMENTATION**  
**VALVES**



**COMFIT-USA**

A DIVISION OF  **LamarUSA**  
INSTRUMENTATION & CONTROL

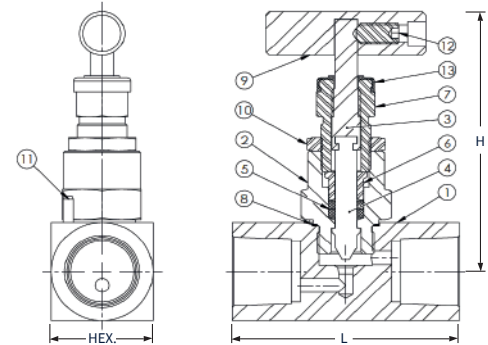
*[www.comfit-usa.com](http://www.comfit-usa.com)*

# NEEDLE VALVES

## BAR STOCK SCREWED BONNET NEEDLE VALVES PRODUCT CODE: CSNVS



SR.NO.	DESCRIPTION	QTY	DESCRIPTION
1	BODY	1	SS 316
2	BONNET	1	SS 316
3	UPPER STEM	1	SS 316
4	LOWER STEM	1	SS 316
5	PACKING	2	PTFE
6	GLAND	1	SS 316
7	BONNET PUSHER	1	SS 304
8	BONNET SEAL	1	SS 316
9	HANDLE	1	SS 304
10	CHECK NUT	1	SS 304
11	STOPPER PIN	1	SS
12	GRUB SCREW	1	SS
13	DUST CAP	1	PLASTIC



### FEATURES:

- Bar stock needle valve desing with safety back seated in fully open condition.
- High temperature packing option available.
- Two piece knuckle joint ensures non - rotating needle feature. The joint is positioned above the packing, safeguarding it from system media.
- Low torque operating T bar handle, anti-tamper and lockable handle available.
- Straight pattern desing, With angle pattern option available.
- Externally adjustable gland.
- Bonnet lock pin as per the design standard for 6000 psig and for high pressure, bonnet lock plate as per the design required
- Low Emissions certification available on request.

### SPECIFICATIONS:

- Size: 1/8" to 1"
- End Connections: NPT, BSPT, Socket Weld, Butt Weld, Tube Fitting
- Temperature Rating:
  - Up to 450°F (232°C) with PTFE packing
  - Up to 752°F (400°C) with Grafoil packing
- Materials: SS 316, SS 304, CS, F11, Hastelloy, Monel, Inconel
- Alternative Seat Options: Available upon request
- Compliance: Can be provided to meet the latest revision of NACE MR-01-75 (SOUR GAS SERVICE)
- Packing: PTFE, Graphoil
- Testing: 100% factory tested at 1000 psig
- Lubrication: Dye Molly Sulfide

BAR STOCK SCREWED BONNET NEEDLE VALVE						
VALVE CONNECTION		PRODUCT CODE	ORIFICE	HEX.	L	H
INLET	OUTLET					
1/8" NPT (F)		2NF - CSNVS	0.118	1.0	1.77	2.93
1/8" ODT		2T - CSNVS			2.55	
1/4" NPT (F)		4NF - CSNVS			2.16	
1/4" NPT (M)	1/4" NPT (F)	4NM - CSNVS - 4NF			2.32	
1/4" NPT (M)		4NM - CSNVS			2.75	
1/4" ODT		4T - CSNVS			2.87	
6MM ODT		6M - CSNVS			2.08	
3/8" ODT		6T - CSNVS			2.32	
8MM ODT		8MT - CSNVS			2.44	
3/8" NPT (F)		6NF - CSNVS			0.157	
3/8" NPT (M)	3/8" NPT (F)	6NM - CSNVS - 6NF	2.68			
3/8" NPT (M)		6NM - CSNVS	2.87			
1/2" NPT (F)		8NF - CSNVS	3.11			
1/2" NPT (M)	1/2" NPT (F)	8NM - CSNVS - 8NF	3.00			
1/2" NPT (M)		8NM - CSNVS	2.87			
1/2" ODT		8T - CSNVS	3.18			
12MM ODT		12MT - CSNVS	2.79			
3/4" NPT (F)		12NF - CSNVS	2.87			
3/4" NPT (M)	3/4" NPT (F)	12NF - CSNVS - 12NM	3.18			
3/4" NPT (M)		12NM - CSNVS	3.35			
3/4" ODT		12T - CSNVS	3.38			
1" NPT (F)		16NF - CSNVS	1.625	4.05	3.24	
1" NPT (M)	1" NPT (F)	16NF - CSNVS - 16NM				3.38
1" NPT (M)		16NM - CSNVS				3.38
1" ODT		16T - CSNVS	4.05	3.18		



☎ **(+1) 713 731 5057 - Main**

✉ **[sales@comfit-usa.com](mailto:sales@comfit-usa.com)**

☎ **(+1) 786 538 0405 - Sales**

📍 **3105 NW 107th Avenue, Suite 400  
Doral, FL 33172**

***Some of our main customers worldwide:***

- *Ecopetrol*
- *Petro Ecuador*
- *Tecpetrol*
- *Geopark*
- *Sertecpet*
- *TechnipFMC*
- *Tecnicas Reunidas*
- *Yokogawa*
- *Honeywell*
- *Pemex*
- *Maire Tecnimont*
- *Halliburton*
- *Perenco*
- *Gran Tierra Energy*
- *ABB*